

Incoming inspection, Precautions for transportation, storage and handling of parts

Incoming inspection


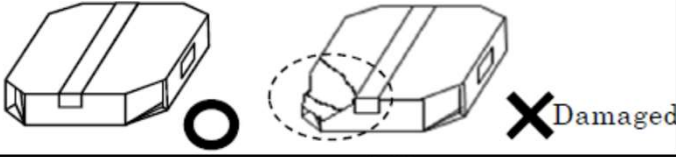
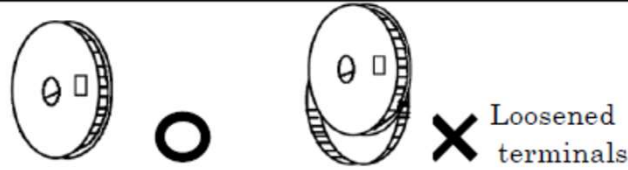
● Contents of incoming inspection

Upon receipt of the parts, inspect the parts for the following points / defects.

Note: If a wrong part or damaged part is delivered, please contact our sales representative.


● Terminal (both for male and female terminals)

- Is the part number correct?
- Is the package box free of damage or deformation?
- Aren't the terminals loosened in the terminal reel?

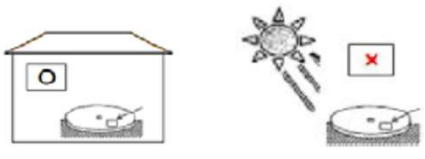
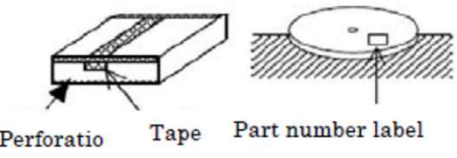



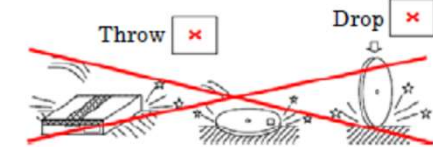
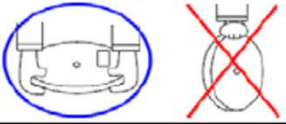

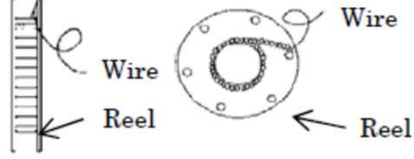
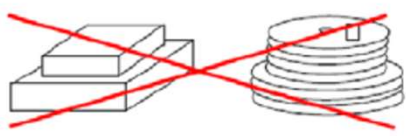
 Notes		Parts may be damaged or deformed.
		

Precautions for transportation, storage and handling of parts

For transport, handling, and storage of the terminal and housing, follow the instructions given below to avoid any failure or defect.

 Notes	<ul style="list-style-type: none"> - Do not expose it to water, dust, oil or toxic gas, and do not leave it without protection. - Use by date: 1 year from the date of purchase
---	---

● Terminal (both for male and female terminals)

	Instructions / requirements	Impact on quality	
Storage	Parts should be stored indoors, away from direct sunlight. Recommended temperature: 20°C+/-15°C Recommended humidity: 65%+/-20%		Risk of problems such as deformation of reel, rust or discoloration of terminal, etc.
Storage / Transport	Terminals in shipping box: Place the box with taped side up Terminals in reel: Place the reel horizontally with part number label side up.		Terminals in reel Risk of problems such as deformation or tangling of terminals, loosening of terminals in the reel due to weight of terminals.
Storage	Stacking Terminal reel: Max. 4 reels Shipping box: Max. 10 boxes		
Storage	Terminals in shipping box: Close the box. Terminals in reel: Put the reel in a bag or put a cover over it.		Risk of failure in electrical connection due to contamination (i.e. attachment of dust or foreign substances)
Transport	Do not subject the terminals to a strong shock.		Risk of problems such as deformation or tangling of terminals, loosening of terminals in the reel.
Transport	Hold the reel by both hands from the bottom.		
Storage	For an unfinished terminal reel, securely fix the terminals to the reel flange to avoid the terminals from loosening.		Risk of loosening of terminals in the reel.
Storage / Transport	Do not stack boxes or reels of different sizes.		Risk of problems such as breakage of reel or deformation of terminals due to the pressure and weight.

O: Okay X: Not okay

※Since there are products applying different handling methods, please refer to the instruction of each product for details.