

1

2

3

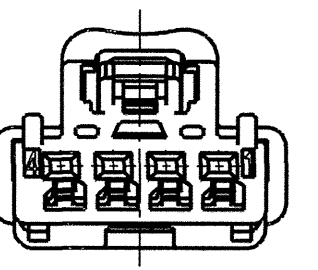
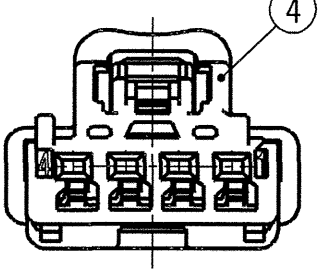
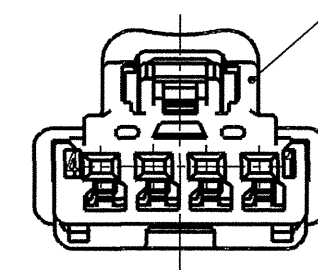
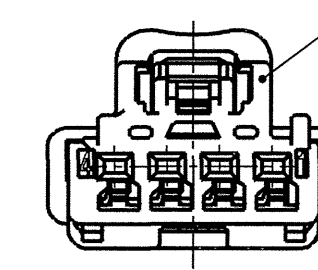
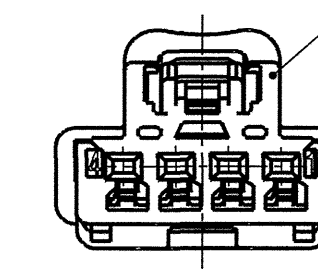
4

5

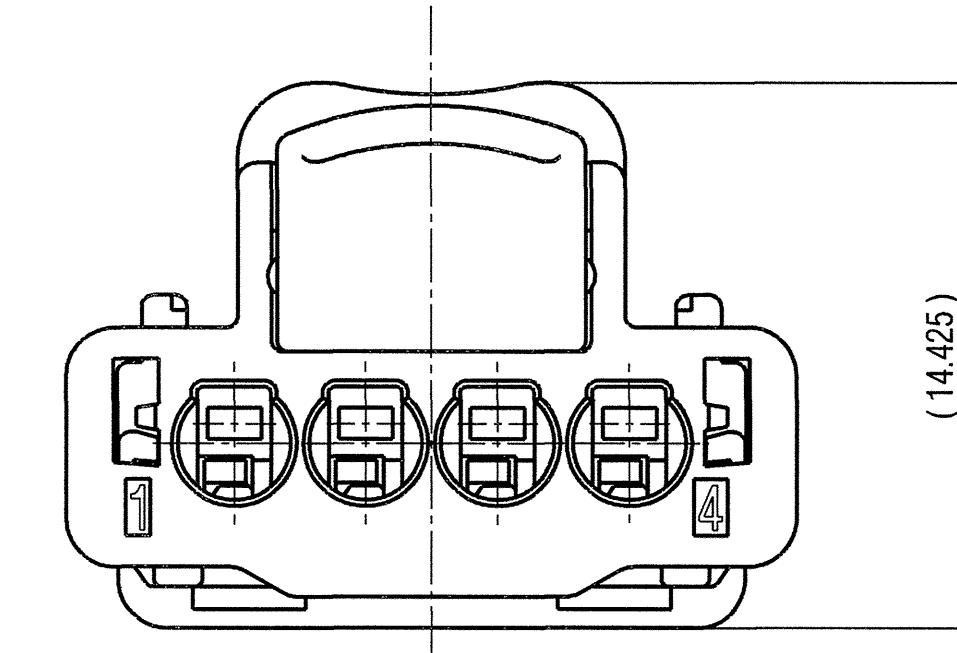
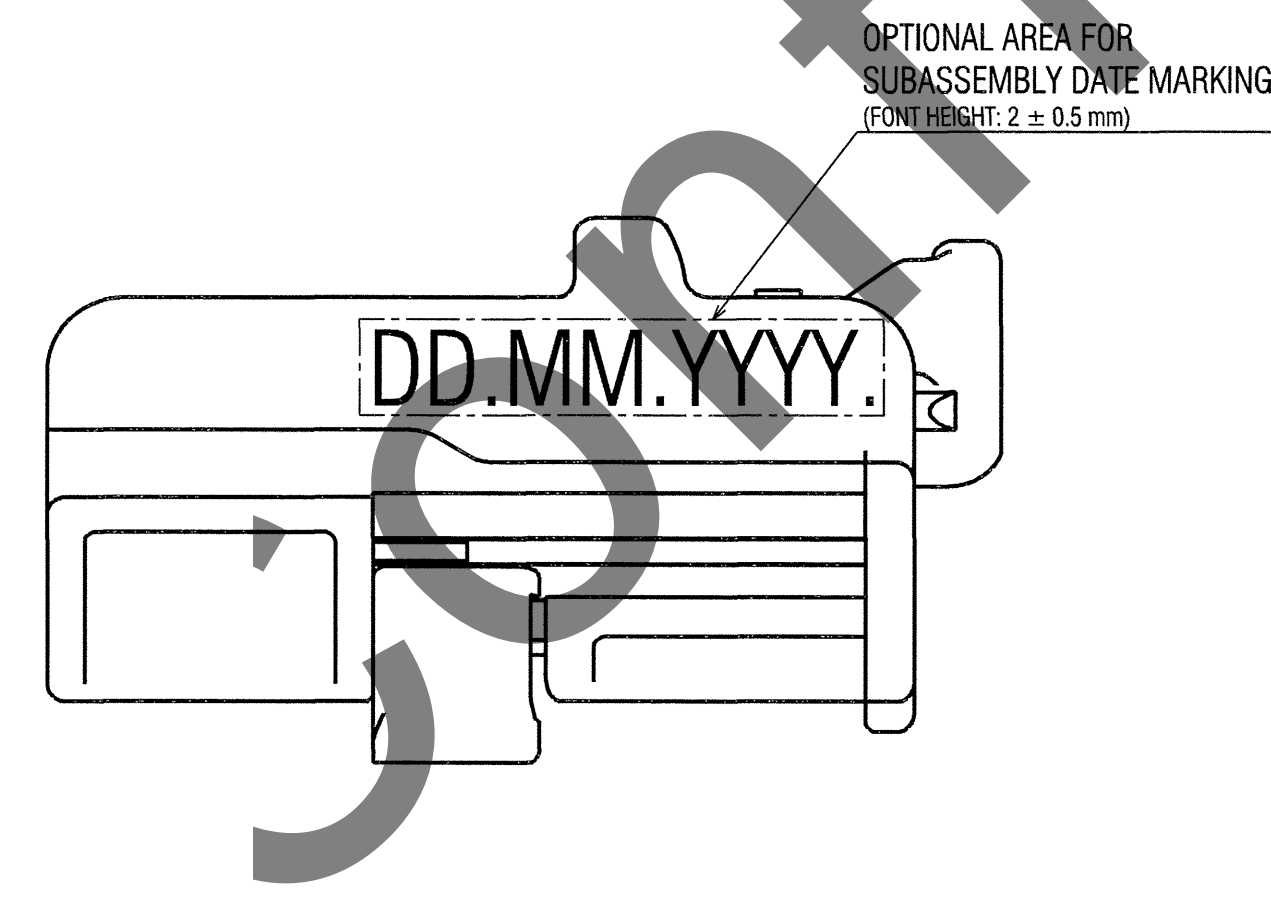
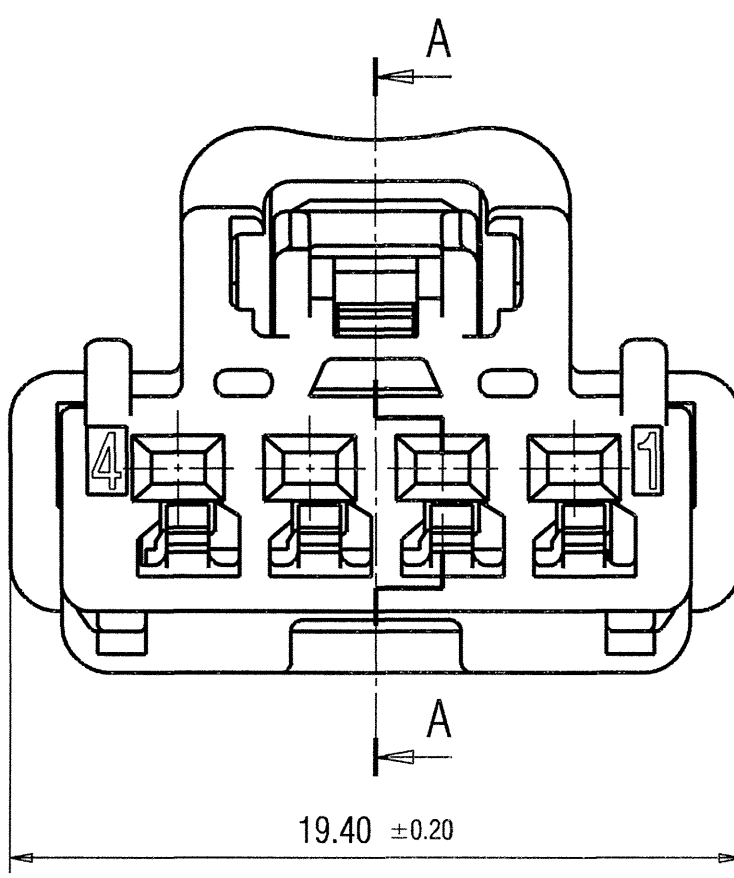
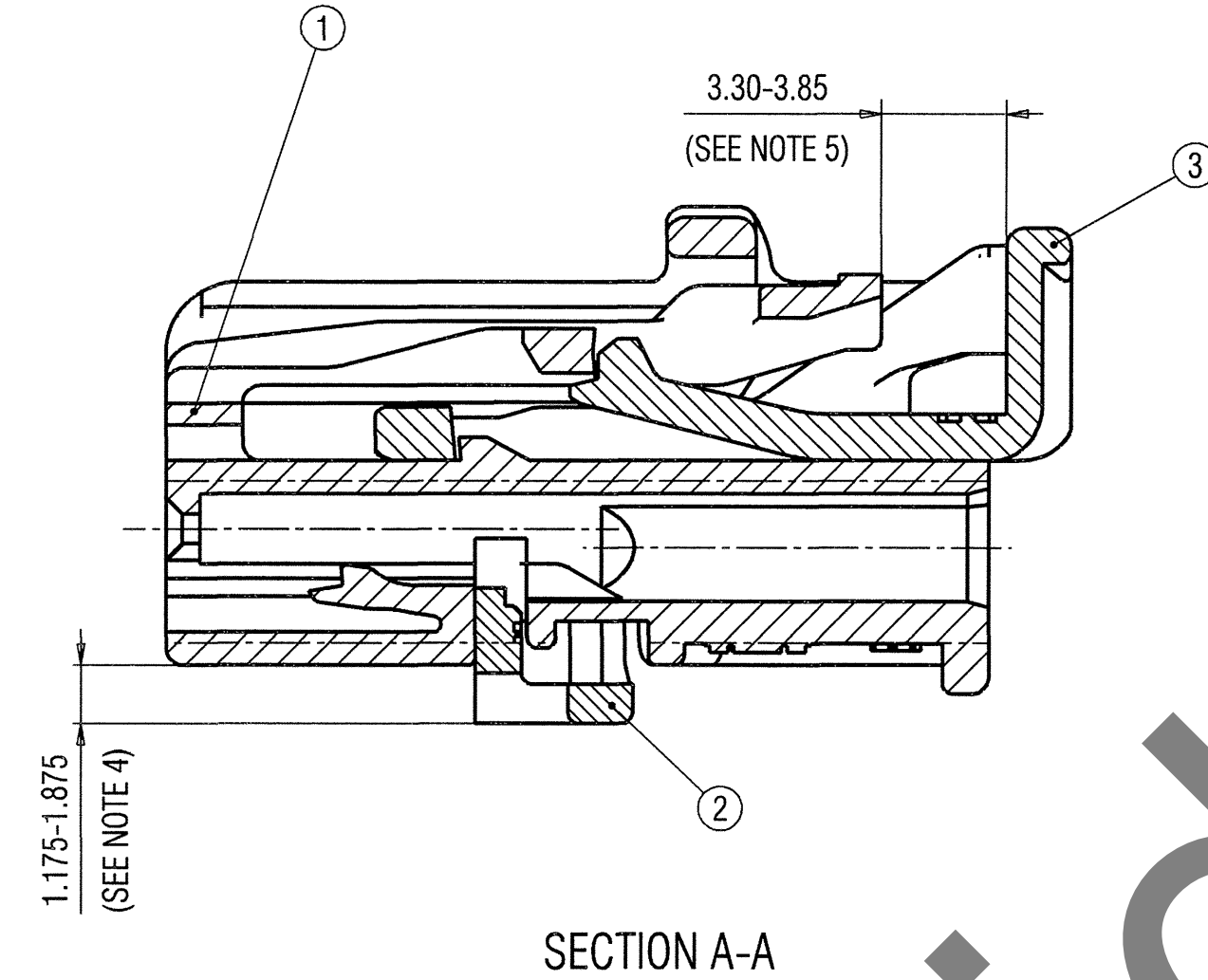
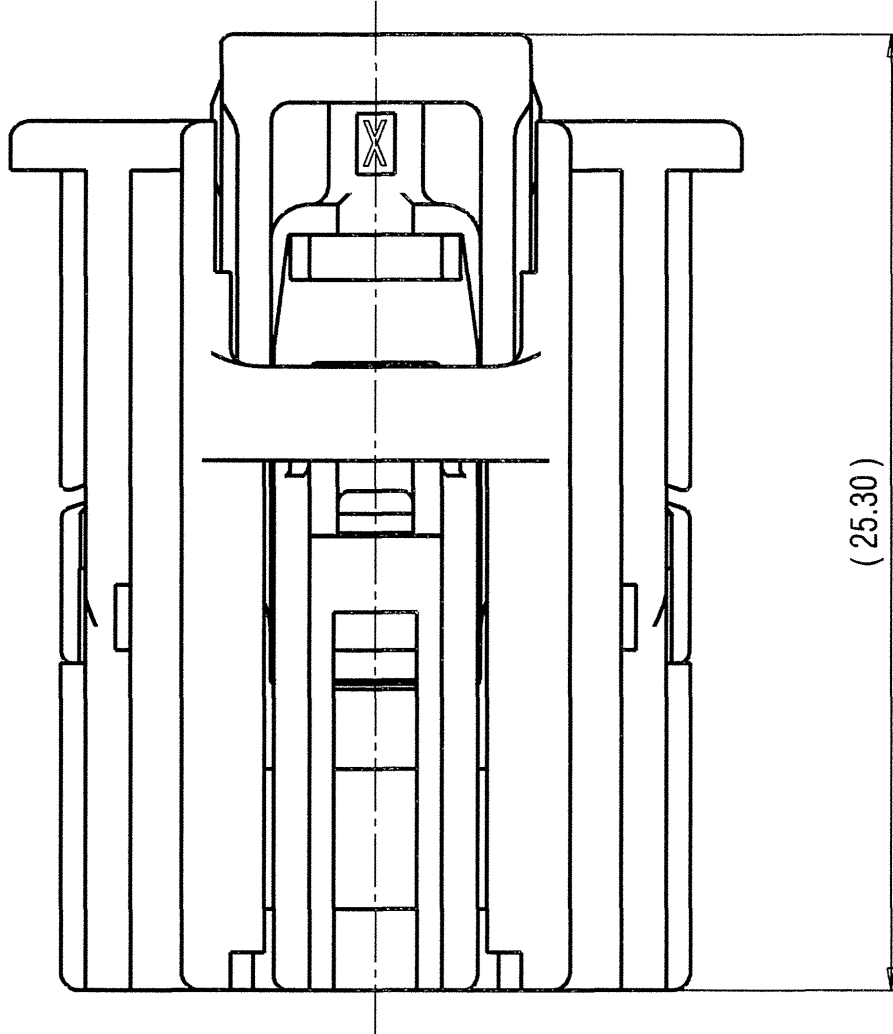
6

7

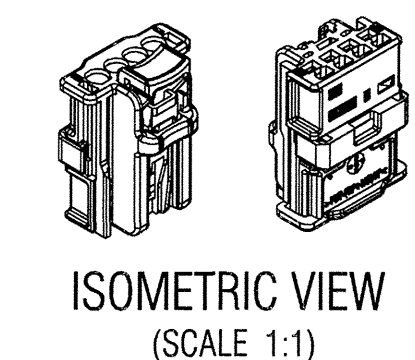
CODE OVERVIEW

| CODE A (SCALE 2:1) | CODE B (SCALE 2:1) | CODE C (SCALE 2:1) | CODE D (SCALE 2:1) | CODE O (SCALE 2:1) |
|--|--|---|--|---|
|  |  |  |  |  |
| P/N: 7289-7837-30 COLOR: BLACK (SIMILAR TO RAL 9005) 4P 1.2 NWP SYSTEM CONNECTOR F SUBASSEMBLY CODE A | P/N: 7289-7838-60 COLOR: GREEN (SIMILAR TO RAL 6002) 4P 1.2 NWP SYSTEM CONNECTOR F SUBASSEMBLY CODE B | P/N: 7289-7839-90 COLOR: BLUE (SIMILAR TO RAL 5005) 4P 1.2 NWP SYSTEM CONNECTOR F SUBASSEMBLY CODE C | P/N: 7289-7840-80 COLOR: BROWN (SIMILAR TO RAL 8011) 4P 1.2 NWP SYSTEM CONNECTOR F SUBASSEMBLY CODE D | P/N: 7289-7836-20 COLOR: PURPLE (SIMILAR TO RAL 4006) 4P 1.2 NWP SYSTEM CONNECTOR F SUBASSEMBLY CODE O |

| YAZAKI SUBASSY PART NO. | NAME | NO. | YAZAKI PART NO. | NAME | MATERIAL | COLOR | QTY. |
|-------------------------|--|-----|-----------------|------------------------------------|---------------|---------|------|
| 7289-7837-30 | 4P 1.2 NWP SYSTEM CONNECTOR FEMALE SUBASSEMBLY CODE A | ① | 7189-7837-30 | 4P 1.2 NWP SYSTEM F HOUSING CODE A | PBT-(GF+MD)17 | BLACK | 1 |
| | | ② | 7172-1397 | 4P 1.2 NWP SYSTEM M/F SIDE SPACER | PBT-GF30 | NATURAL | 1 |
| | | ③ | 7172-1390-50 | 1.2 NWP SYSTEM CPA | PBT-GF30 | ORANGE | 1 |
| 7289-7838-60 | 4P 1.2 NWP SYSTEM CONNECTOR FEMALE SUBASSEMBLY CODE B | ④ | 7189-7838-60 | 4P 1.2 NWP SYSTEM F HOUSING CODE B | PBT-(GF+MD)17 | GREEN | 1 |
| | | ② | 7172-1397 | 4P 1.2 NWP SYSTEM M/F SIDE SPACER | PBT-GF30 | NATURAL | 1 |
| | | ③ | 7172-1390-50 | 1.2 NWP SYSTEM CPA | PBT-GF30 | ORANGE | 1 |
| 7289-7839-90 | 4P 1.2 NWP SYSTEM CONNECTOR FEMALE SUBASSEMBLY CODE C | ⑤ | 7189-7839-90 | 4P 1.2 NWP SYSTEM F HOUSING CODE C | PBT-(GF+MD)17 | BLUE | 1 |
| | | ② | 7172-1397 | 4P 1.2 NWP SYSTEM M/F SIDE SPACER | PBT-GF30 | NATURAL | 1 |
| | | ③ | 7172-1390-50 | 1.2 NWP SYSTEM CPA | PBT-GF30 | ORANGE | 1 |
| 7289-7840-80 | 4P 1.2 NWP SYSTEM CONNECTOR FEMALE SUBASSEMBLY CODE D | ⑥ | 7189-7840-80 | 4P 1.2 NWP SYSTEM F HOUSING CODE D | PBT-(GF+MD)17 | BROWN | 1 |
| | | ② | 7172-1397 | 4P 1.2 NWP SYSTEM M/F SIDE SPACER | PBT-GF30 | NATURAL | 1 |
| | | ③ | 7172-1390-50 | 1.2 NWP SYSTEM CPA | PBT-GF30 | ORANGE | 1 |
| 7289-7836-20 | 4P 1.2 NWP SYSTEM CONNECTOR FEMALE SUBASSEMBLY CODE O | ⑦ | 7189-7836-20 | 4P 1.2 NWP SYSTEM F HOUSING CODE O | PBT-(GF+MD)17 | PURPLE | 1 |
| | | ② | 7172-1397 | 4P 1.2 NWP SYSTEM M/F SIDE SPACER | PBT-GF30 | NATURAL | 1 |
| | | ③ | 7172-1390-50 | 1.2 NWP SYSTEM CPA | PBT-GF30 | ORANGE | 1 |



- NOTES:
- MATERIAL: SEE TABLE;
 - COLOR: SEE CODE OVERVIEW;
 - APPLICABLE TERMINALS: 1.2 CB SYSTEM F COMPATIBLE;
 - THIS DIMENSION SHOWS THE PRESET POSITION OF SIDE SPACER ON THE SUBASSEMBLY;
 - THIS DIMENSION SHOWS THE PRESET POSITION OF CPA ON THE SUBASSEMBLY;
 - MATING PRODUCT: 7288-7842-30 ETC.;
 - FOR GENERAL GEOMETRICAL TOLERANCE SEE TABLE (ECCENT= ECCENTRICITY);
 - HANDLING MANUAL: YPES-15-1664E;
 - PRODUCT STANDARD: TBD.;
 - THE MATERIALS USED IN THIS PRODUCT ARE IN CONFORMITY WITH REQUIREMENTS OF EU ELV 2000/53/EC DIRECTIVE AND ASSOCIATED DOCUMENTS;



ISSUE MARK

| LET | DATE | REVISION RECORD | NO. | CHKD |
|-----|-------------|-----------------|----------|------|
| - | 05.07.2016. | NEW | Y16-0438 | B.F. |

| GENERAL TOLERANCE | | | | | | | | | | | | | | | | | |
|-------------------|-------|-------|--------|--------|--------|-------|--------|-------------|------------|-------------|---------|-----|--------------|-------------------|----------------|---------|-------------|
| | 10MAX | 50MAX | 100MAX | 250MAX | 250OVR | ANGLE | ECCENT | DWG TYPE | DWG SOURCE | DWG DATE | UNIT | SCL | ANGLE | PART NO. | CH. CODE | DWG NO. | SET DWG NO. |
| A | ±0.15 | ±0.2 | ±0.3 | ±0.5 | ±0.75 | ±30' | 0.1 | R | NEW | 05.07.2016. | mm | 5/1 | 3 | 7289-7837-30 ETC. | | | |
| B | ±0.2 | ±0.3 | ±0.55 | ±0.95 | ±1.4 | ±30' | 0.1 | APPROVED | CHECKED | CHECKED | DESIGN | | DRAWN | | | | |
| © | ±0.3 | ±0.5 | ±0.8 | ±1.4 | ±2 | ±30' | 0.15 | G. GREGURIC | B. FRETZE | T. GREBENAR | T. COTA | | D. MIHALINEC | | 7289-7837-30:R | | |
| SPECIFIED | | | | | | | MASS | 2.9 g | | | | | | | | | |



A1