

1

2

3

4

5

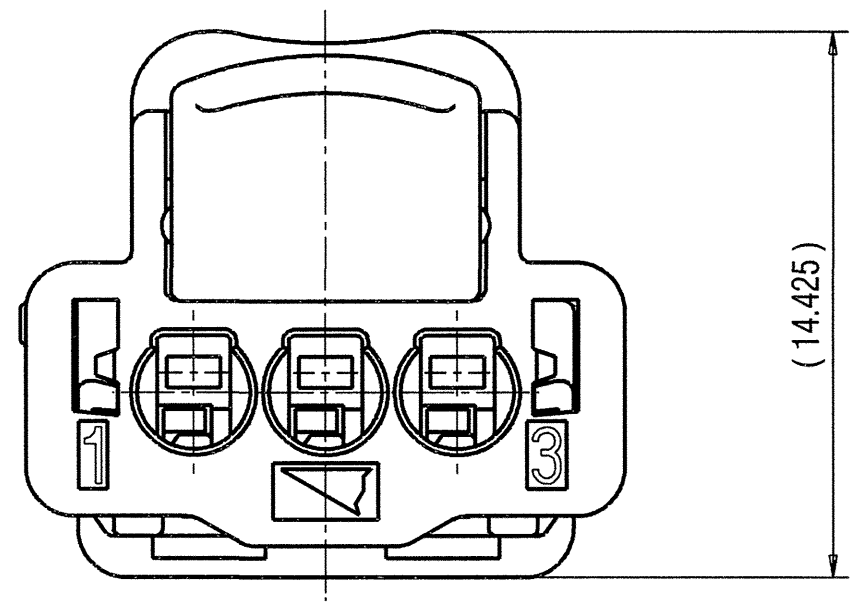
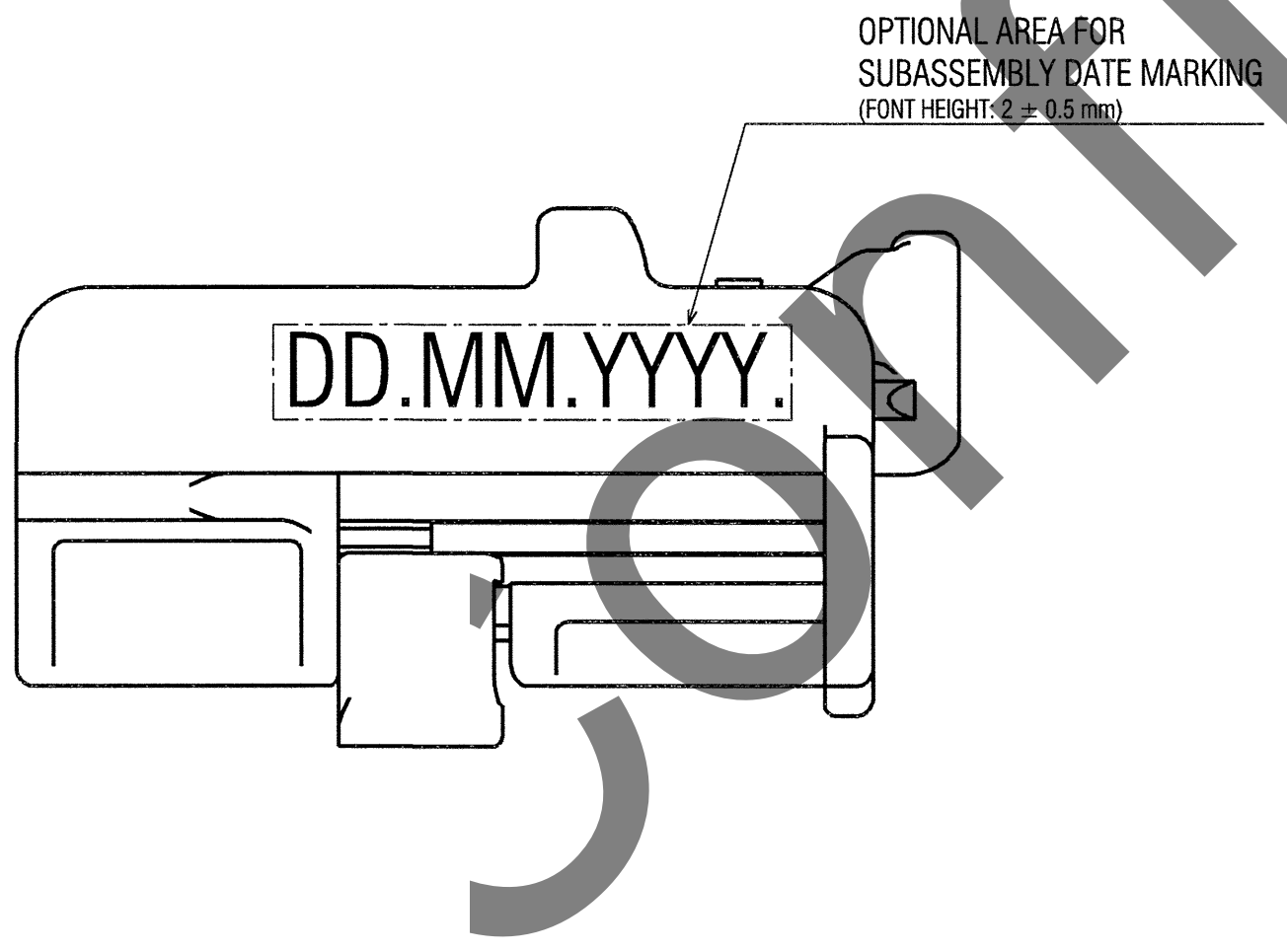
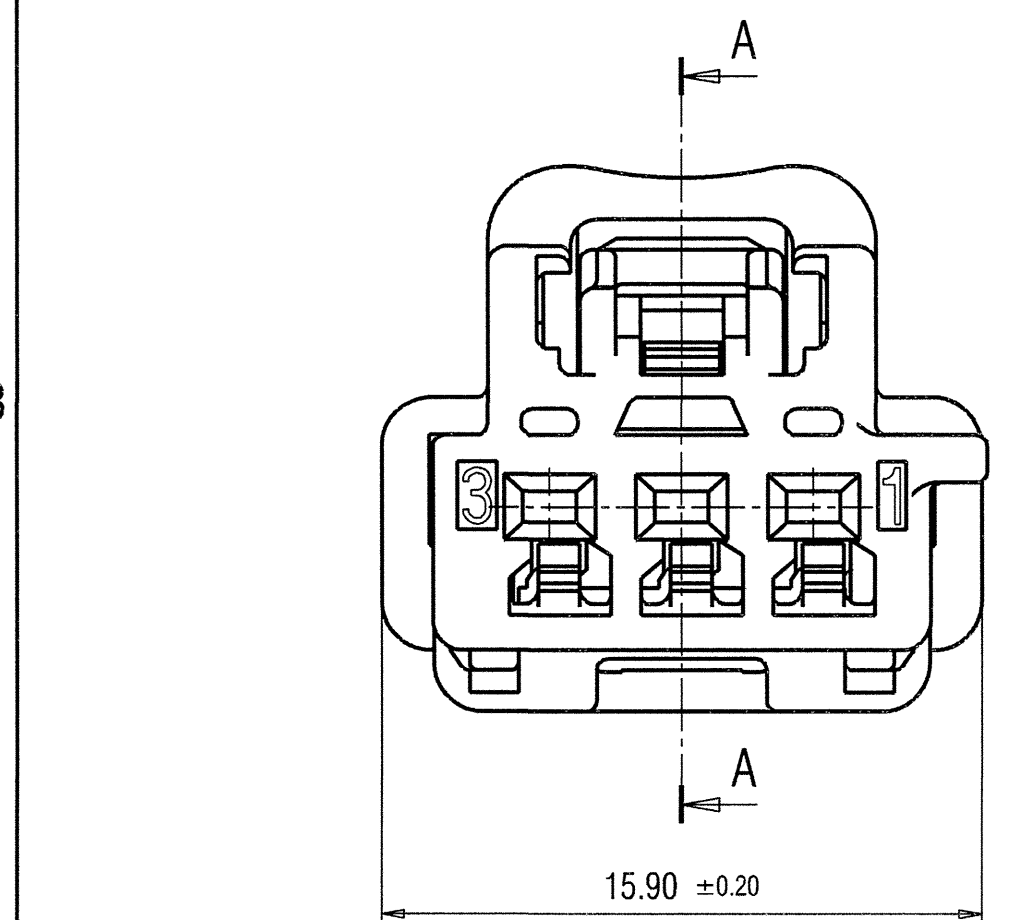
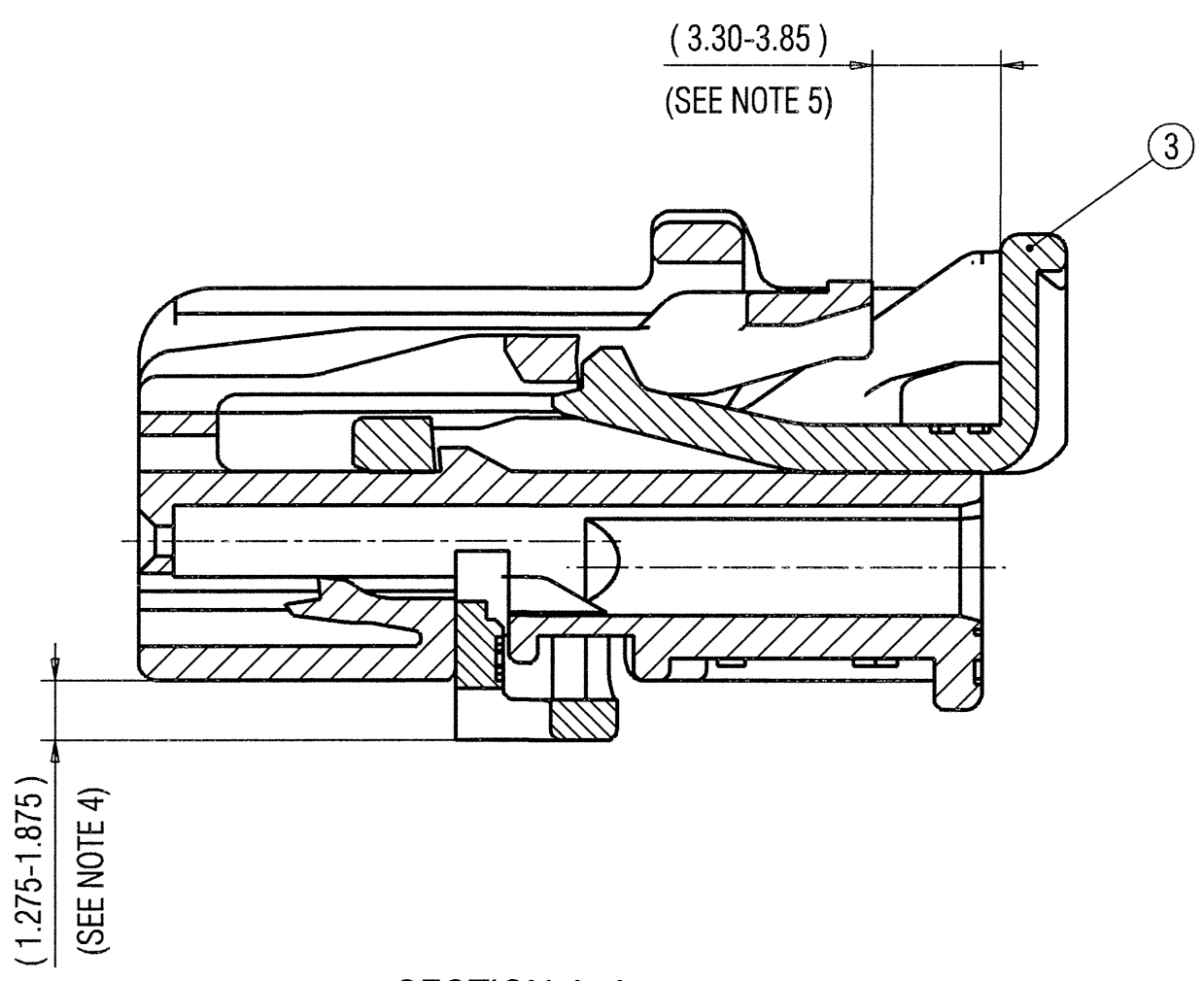
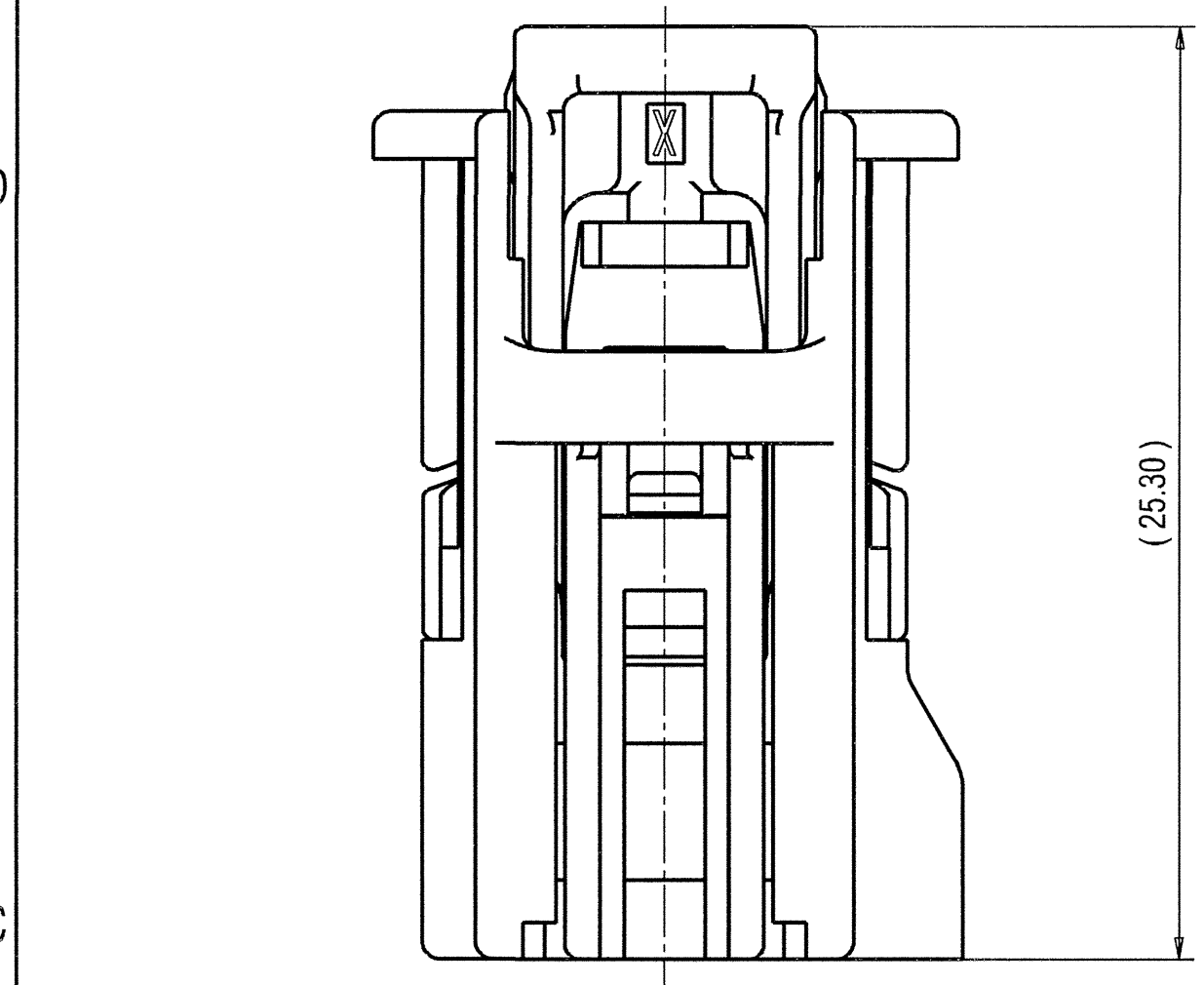
6

7

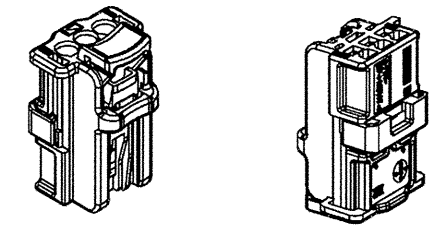
CODE OVERVIEW

CODE A (SCALE 2:1)	CODE B (SCALE 2:1)	CODE C (SCALE 2:1)	CODE D (SCALE 2:1)	CODE 0 (SCALE 2:1)
P/N: 7289-7822-30 COLOR: BLACK (SIMILAR TO RAL 9005) 3P 1.2 NWP SYSTEM CONNECTOR F SUBASSEMBLY CODE A	P/N: 7289-7823-60 COLOR: GREEN (SIMILAR TO RAL 6002) 3P 1.2 NWP SYSTEM CONNECTOR F SUBASSEMBLY CODE B	P/N: 7289-7824-90 COLOR: BLUE (SIMILAR TO RAL 5005) 3P 1.2 NWP SYSTEM CONNECTOR F SUBASSEMBLY CODE C	P/N: 7289-7825-80 COLOR: BROWN (SIMILAR TO RAL 8011) 3P 1.2 NWP SYSTEM CONNECTOR F SUBASSEMBLY CODE D	P/N: 7289-7821-20 COLOR: PURPLE (SIMILAR TO RAL 4006) 3P 1.2 NWP SYSTEM CONNECTOR F SUBASSEMBLY CODE 0

YAZAKI SUBASSY PART NO.	NAME	NO.	YAZAKI PART NO.	NAME	MATERIAL	COLOR	QTY.
7289-7822-30	3P 1.2 NWP SYSTEM CONNECTOR FEMALE SUBASSEMBLY CODE A	①	7189-7822-30	3P 1.2 NWP SYSTEM F HOUSING CODE A	PBT-(GF+MD)17	BLACK	1
		②	7172-1396	3P 1.2 NWP SYSTEM M/F SIDE SPACER	PBT-(GF+MD)17	NATURAL	1
		③	7172-1390-50	1.2 NWP SYSTEM CPA	PBT-GF30	ORANGE	1
7289-7823-60	3P 1.2 NWP SYSTEM CONNECTOR FEMALE SUBASSEMBLY CODE B	④	7189-7823-60	3P 1.2 NWP SYSTEM F HOUSING CODE B	PBT-(GF+MD)17	GREEN	1
		②	7172-1396	3P 1.2 NWP SYSTEM M/F SIDE SPACER	PBT-(GF+MD)17	NATURAL	1
		③	7172-1390-50	1.2 NWP SYSTEM CPA	PBT-GF30	ORANGE	1
7289-7824-90	3P 1.2 NWP SYSTEM CONNECTOR FEMALE SUBASSEMBLY CODE C	⑤	7189-7824-90	3P 1.2 NWP SYSTEM F HOUSING CODE C	PBT-(GF+MD)17	BLUE	1
		②	7172-1396	3P 1.2 NWP SYSTEM M/F SIDE SPACER	PBT-(GF+MD)17	NATURAL	1
		③	7172-1390-50	1.2 NWP SYSTEM CPA	PBT-GF30	ORANGE	1
7289-7825-80	3P 1.2 NWP SYSTEM CONNECTOR FEMALE SUBASSEMBLY CODE D	⑥	7189-7825-80	3P 1.2 NWP SYSTEM F HOUSING CODE D	PBT-(GF+MD)17	BROWN	1
		②	7172-1396	3P 1.2 NWP SYSTEM M/F SIDE SPACER	PBT-(GF+MD)17	NATURAL	1
		③	7172-1390-50	1.2 NWP SYSTEM CPA	PBT-GF30	ORANGE	1
7289-7821-20	3P 1.2 NWP SYSTEM CONNECTOR FEMALE SUBASSEMBLY CODE 0	⑦	7189-7821-20	3P 1.2 NWP SYSTEM F HOUSING CODE 0	PBT-(GF+MD)17	PURPLE	1
		②	7172-1396	3P 1.2 NWP SYSTEM M/F SIDE SPACER	PBT-(GF+MD)17	NATURAL	1
		③	7172-1390-50	1.2 NWP SYSTEM CPA	PBT-GF30	ORANGE	1



- NOTES:
- MATERIAL: SEE TABLE;
 - COLOR: SEE CODE OVERVIEW;
 - APPLICABLE TERMINALS: 1.2 CB SYSTEM F COMPATIBLE;
 - THIS DIMENSION SHOWS THE PRESET POSITION OF SIDE SPACER ON THE SUBASSEMBLY;
 - THIS DIMENSION SHOWS THE PRESET POSITION OF CPA ON THE SUBASSEMBLY;
 - MATING PRODUCT: 7288-7832-30 ETC.;
 - FOR GENERAL GEOMETRICAL TOLERANCE SEE TABLE (ECCENT = ECCENTRICITY);
 - HANDLING MANUAL: YPES-15-1664E;
 - PRODUCT STANDARD: TBD.;
 - THE MATERIALS USED IN THIS PRODUCT ARE IN CONFORMITY WITH REQUIREMENTS OF EU ELV 2000/53/EC DIRECTIVE AND ASSOCIATED DOCUMENTS;



ISOMETRIC VIEW
(SCALE 1:1)

05.07.2016.	NEW	Y16-0438	B.F.
LET	DATE	REVISION RECORD NO.	CHKD

GENERAL TOLERANCE				DWG TYPE	DWG SOURCE	DWG DATE	UNIT	SCL	ANGLE
A	±0.15	±0.2	±0.3	R	NEW	05.07.2016.	mm	5/1	3
B	±0.2	±0.3	±0.55	APPROVED	CHECKED	CHECKED	DESIGN	DRAWN	
⊙	±0.3	±0.5	±0.8	G. GREGURIC	B. PRETZE	T. GREBENAR	T. COTA	D. MIHALINEC	
SPECIFIED				MASS	2.4 g				

CUSTOMER PART NO.	CUSTOMER DWG NO.	MATL. SPEC.	SEE NOTES	TREAT. & FIN.
OFFICE YEL-P	TRIAL PART NO.	NAME		
VENDOR	X41583-E031	3P 1.2 NWP SYSTEM CONNECTOR (F) SUBASSEMBLY		
PART NO. CH. CODE		7289-7822-30 ETC.		
DWG NO.		7289-7822-30:R		
SET DWG NO.				



A1