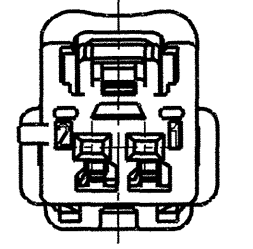
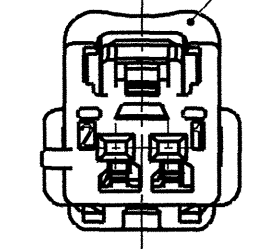
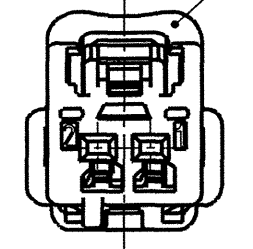
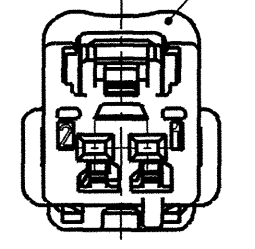
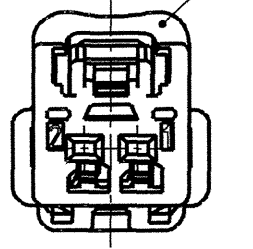
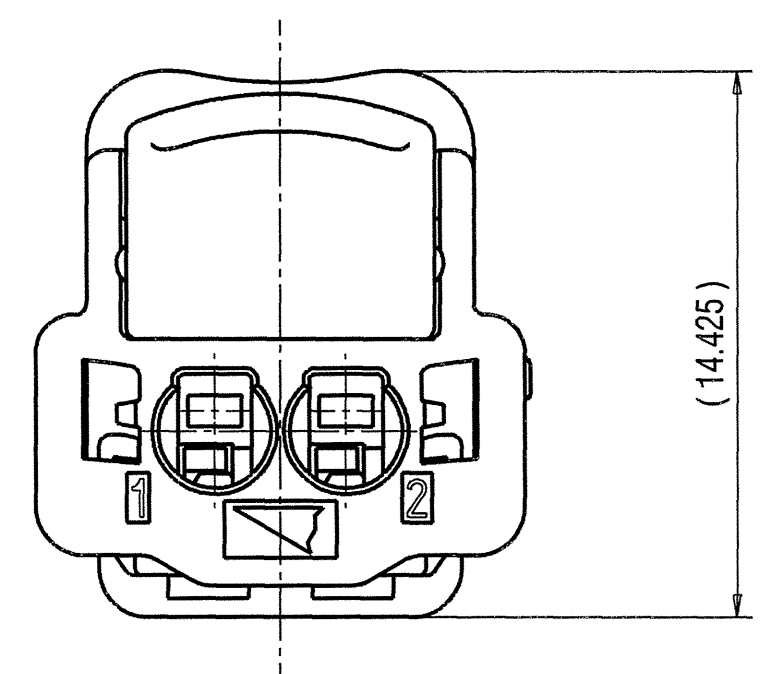
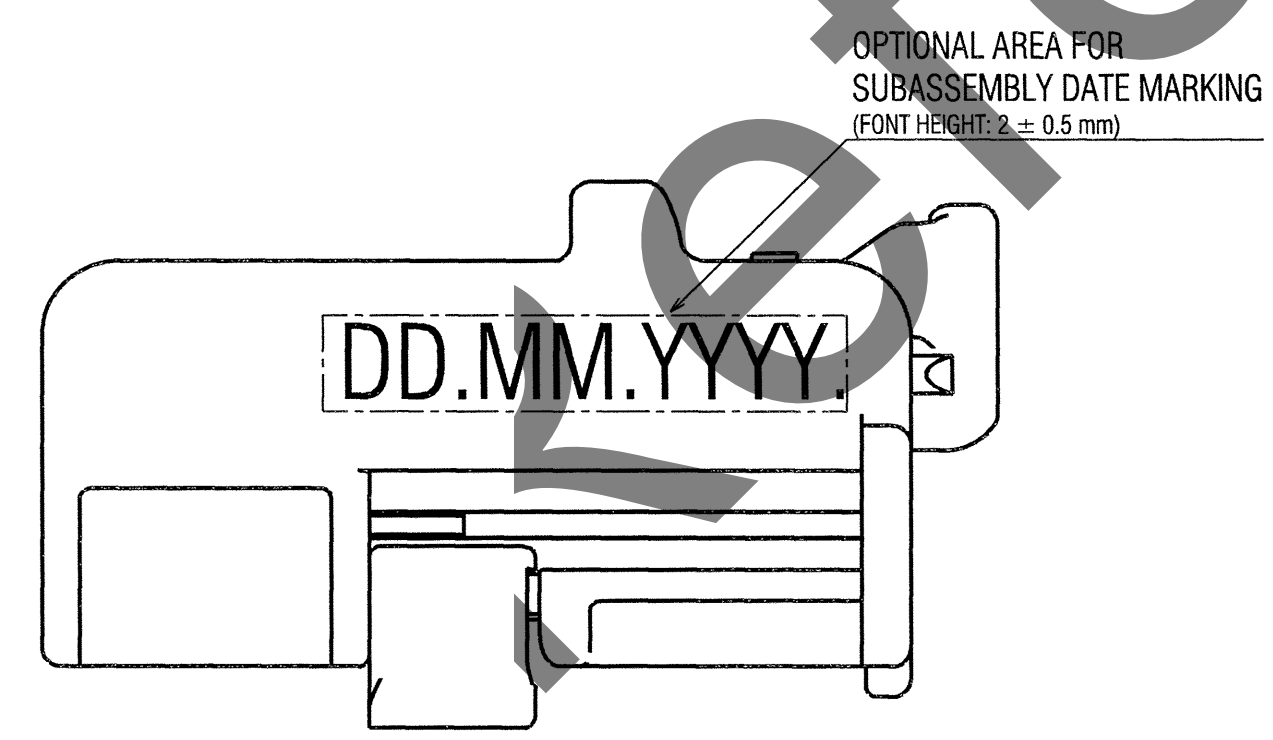
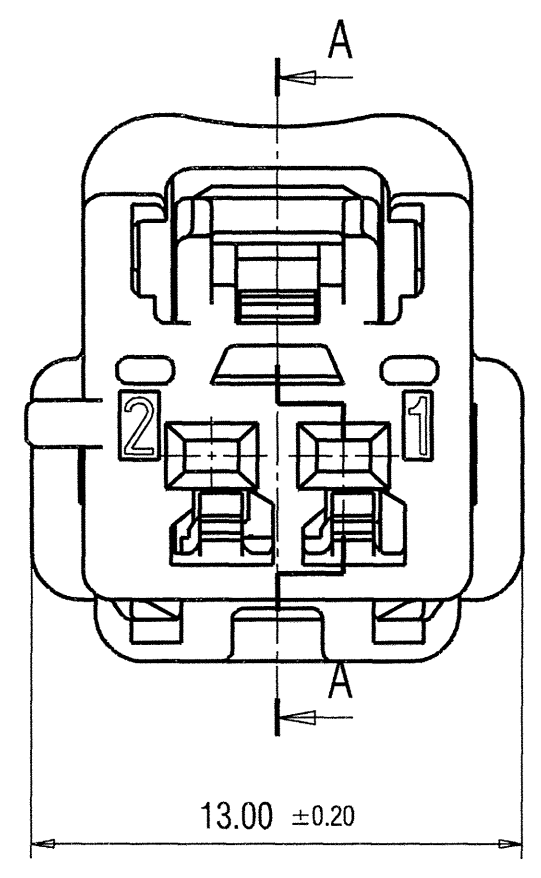
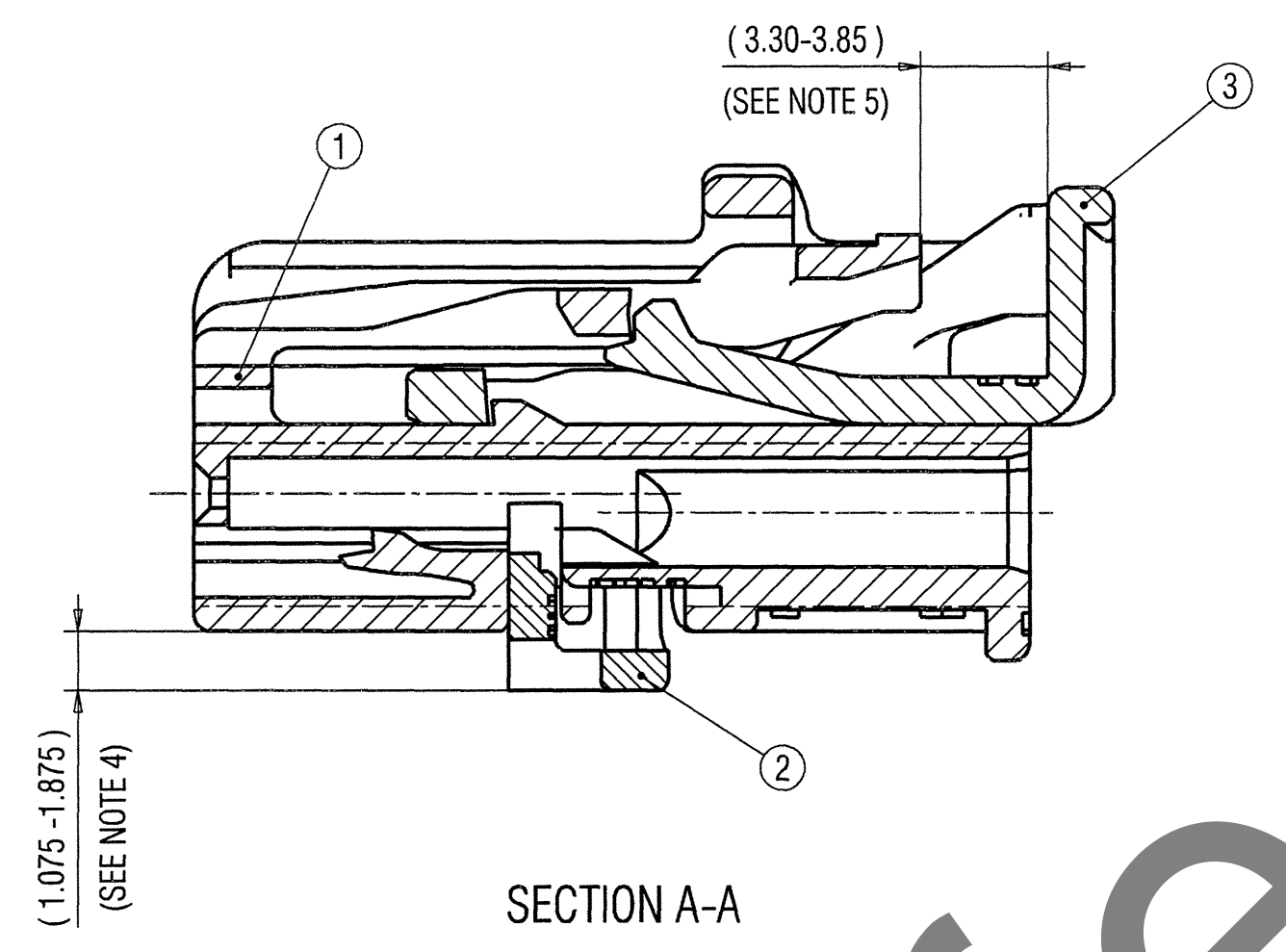
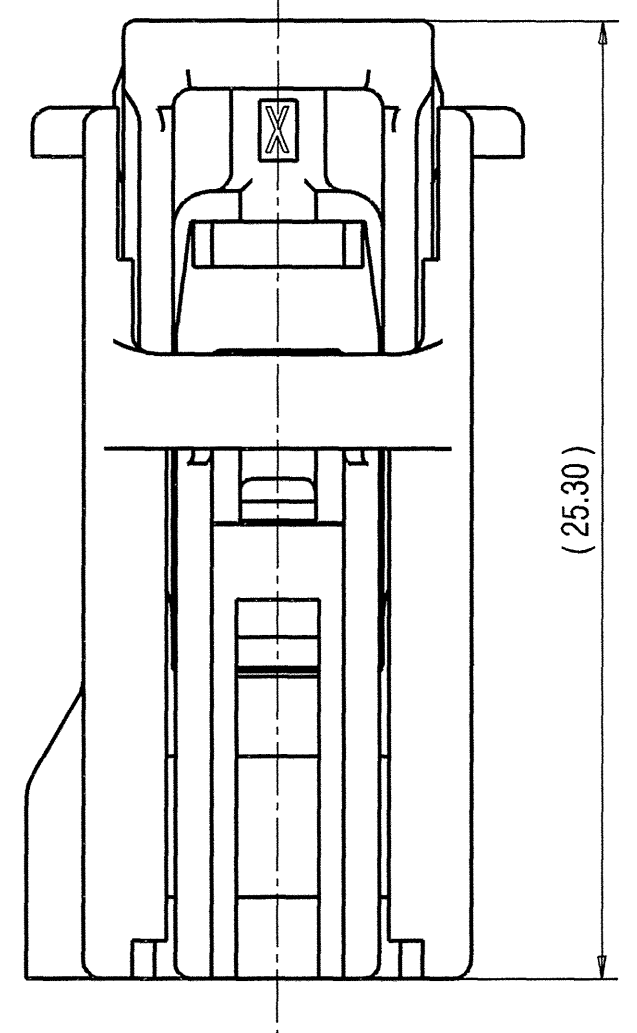


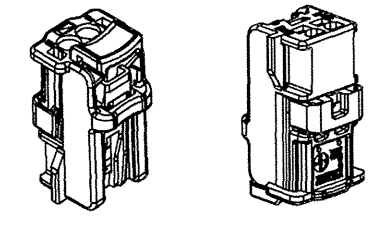
CODE OVERVIEW

CODE A (SCALE 2:1)	CODE B (SCALE 2:1)	CODE C (SCALE 2:1)	CODE D (SCALE 2:1)	CODE 0 (SCALE 2:1)
				
P/N: 7289-7812-30 COLOR: BLACK (SIMILAR TO RAL 9005) 2P 1.2 NWP SYSTEM CONNECTOR F SUBASSEMBLY CODE A	P/N: 7289-7813-60 COLOR: GREEN (SIMILAR TO RAL 6002) 2P 1.2 NWP SYSTEM CONNECTOR F SUBASSEMBLY CODE B	P/N: 7289-7814-90 COLOR: BLUE (SIMILAR TO RAL 5005) 2P 1.2 NWP SYSTEM CONNECTOR F SUBASSEMBLY CODE C	P/N: 7289-7815-80 COLOR: BROWN (SIMILAR TO RAL 8011) 2P 1.2 NWP SYSTEM CONNECTOR F SUBASSEMBLY CODE D	P/N: 7289-7811-20 COLOR: PURPLE (SIMILAR TO RAL 4006) 2P 1.2 NWP SYSTEM CONNECTOR F SUBASSEMBLY CODE 0

YAZAKI SUBASSY PART NO.	NAME	NO.	YAZAKI PART NO.	NAME	MATERIAL	COLOR	QTY.
7289-7812-30	2P 1.2 NWP SYSTEM CONNECTOR FEMALE SUBASSEMBLY CODE A	①	7189-7812-30	2P 1.2 NWP SYSTEM F HOUSING CODE A	PBT-(GF+MD)17	BLACK	1
		②	7172-1395	2P 1.2 NWP SYSTEM M/F SIDE SPACER	PBT-GF30	NATURAL	1
		③	7172-1390-50	1.2 NWP SYSTEM CPA	PBT-GF30	ORANGE	1
7289-7813-60	2P 1.2 NWP SYSTEM CONNECTOR FEMALE SUBASSEMBLY CODE B	④	7189-7813-60	2P 1.2 NWP SYSTEM F HOUSING CODE B	PBT-(GF+MD)17	GREEN	1
		②	7172-1395	2P 1.2 NWP SYSTEM M/F SIDE SPACER	PBT-GF30	NATURAL	1
		③	7172-1390-50	1.2 NWP SYSTEM CPA	PBT-GF30	ORANGE	1
7289-7814-90	2P 1.2 NWP SYSTEM CONNECTOR FEMALE SUBASSEMBLY CODE C	⑤	7189-7814-90	2P 1.2 NWP SYSTEM F HOUSING CODE C	PBT-(GF+MD)17	BLUE	1
		②	7172-1395	2P 1.2 NWP SYSTEM M/F SIDE SPACER	PBT-GF30	NATURAL	1
		③	7172-1390-50	1.2 NWP SYSTEM CPA	PBT-GF30	ORANGE	1
7289-7815-80	2P 1.2 NWP SYSTEM CONNECTOR FEMALE SUBASSEMBLY CODE D	⑥	7189-7815-80	2P 1.2 NWP SYSTEM F HOUSING CODE D	PBT-(GF+MD)17	BROWN	1
		②	7172-1395	2P 1.2 NWP SYSTEM M/F SIDE SPACER	PBT-GF30	NATURAL	1
		③	7172-1390-50	1.2 NWP SYSTEM CPA	PBT-GF30	ORANGE	1
7289-7811-20	2P 1.2 NWP SYSTEM CONNECTOR FEMALE SUBASSEMBLY CODE 0	⑦	7189-7811-20	2P 1.2 NWP SYSTEM F HOUSING CODE 0	PBT-(GF+MD)17	PURPLE	1
		②	7172-1395	2P 1.2 NWP SYSTEM M/F SIDE SPACER	PBT-GF30	NATURAL	1
		③	7172-1390-50	1.2 NWP SYSTEM CPA	PBT-GF30	ORANGE	1



- NOTES:
1. MATERIAL: SEE TABLE;
 2. COLOR: SEE CODE OVERVIEW;
 3. APPLICABLE TERMINALS: 1.2 CB SYSTEM F COMPATIBLE;
 4. THIS DIMENSION SHOWS THE PRESET POSITION OF SIDE SPACER ON THE SUBASSEMBLY;
 5. THIS DIMENSION SHOWS THE PRESET POSITION OF CPA ON THE SUBASSEMBLY;
 6. MATING PRODUCT: 7288-7817-30 ETC.;
 7. FOR GENERAL GEOMETRICAL TOLERANCE SEE TABLE (ECCENT=ECCENTRICITY);
 8. HANDLING MANUAL: YPES-15-1664E;
 9. PRODUCT STANDARD: TBD.;
 10. THE MATERIALS USED IN THIS PRODUCT ARE IN CONFORMITY WITH REQUIREMENTS OF EU ELV 2000/53/EC DIRECTIVE AND ASSOCIATED DOCUMENTS;



ISOMETRIC VIEW (SCALE 1:1)

ISSUE MARK

05.07.2016	NEW	Y16-0438	B.F.
LET	DATE	REVISION RECORD NO.	CHKD

GENERAL TOLERANCE								
	10MAX	50MAX	100MAX	250MAX	2500VR	ANGLE	ECCENT	
A	±0.15	±0.2	±0.3	±0.5	±0.75	±30'	0.1	
B	±0.2	±0.3	±0.55	±0.95	±1.4	±30'	0.1	
C	±0.3	±0.5	±0.8	±1.4	±2	±30'	0.15	
SPECIFIED							MASS	2.1 g

CUSTOMER		MTRL. SPEC.		TREAT. & FIN.	
CUSTOMER PART NO.		SEE NOTES		NAME	
OFFICE YEL-P		TRIAL PART NO.		2P 1.2 NWP SYSTEM CONNECTOR (F) SUBASSEMBLY	
VENDOR		X41583-ED23		PART NO. 7289-7812-30 ETC.	
VENDOR NO.				DWG CODE 7289-7812-30:R	
DWG TYPE		DWG SOURCE		SET DWG NO.	
R		NEW			
DWG DATE		UNIT		SCL	
05.07.2016		mm		5/1	
APPROVED		CHECKED		DRAWN	
G. GREGURIC		B. FRETZE		T. ÇOTA	
T. GREBENAR		D. MIHALINEC			
08.07.2016		07.07.2015		05.07.2016	

