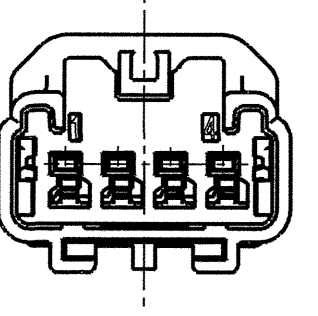
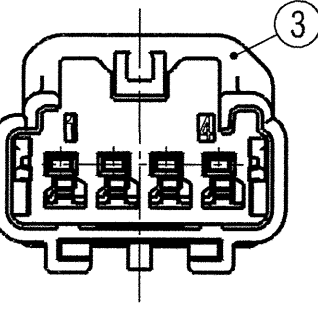
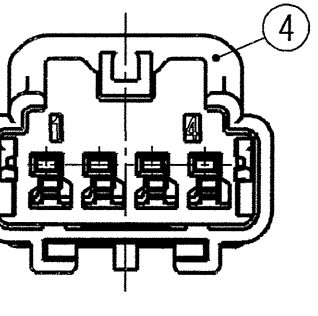
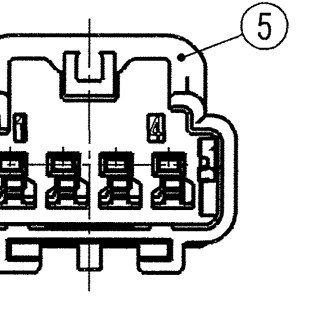
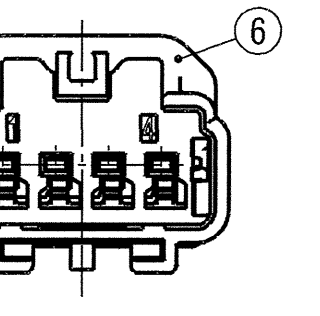
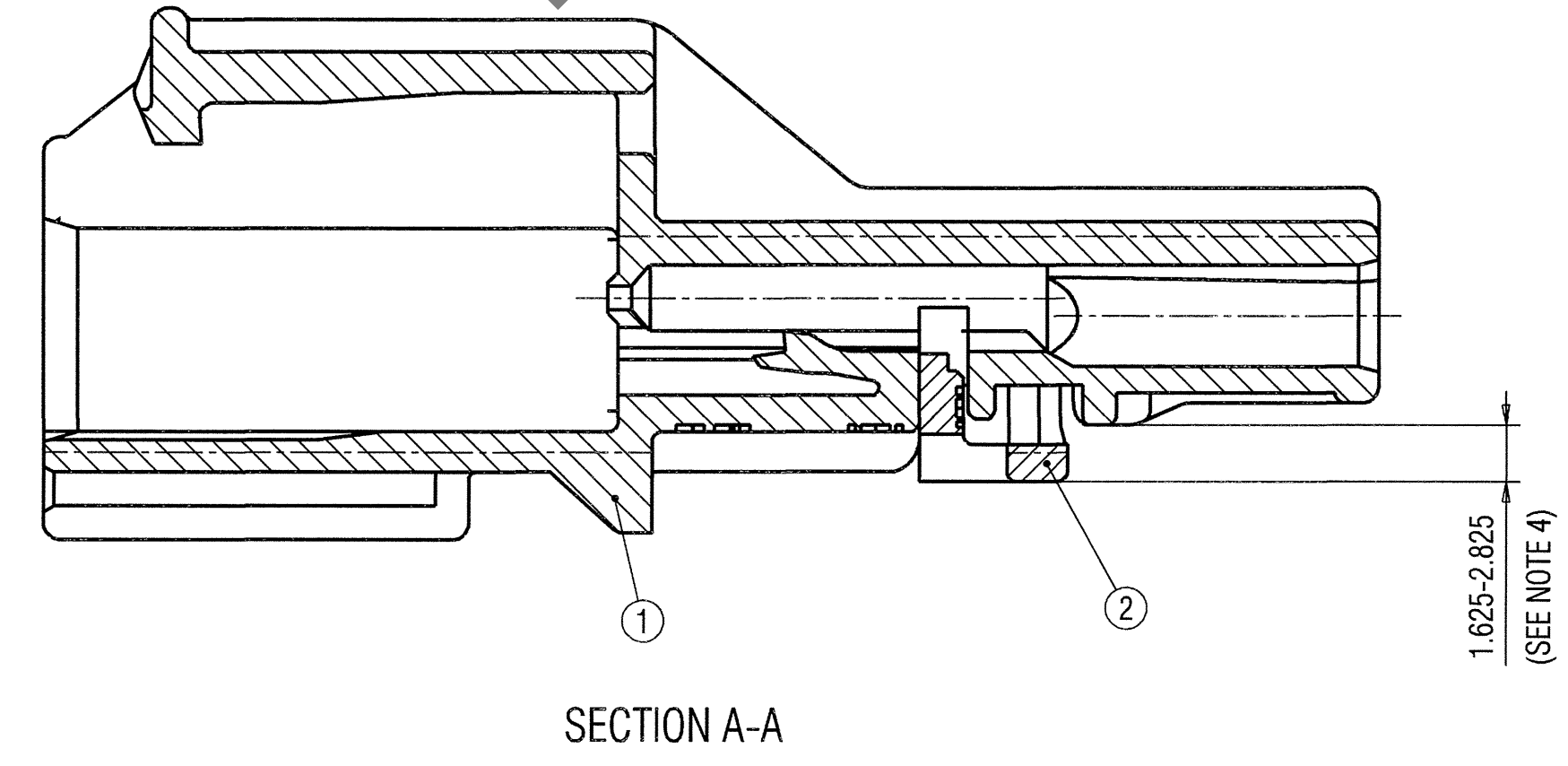
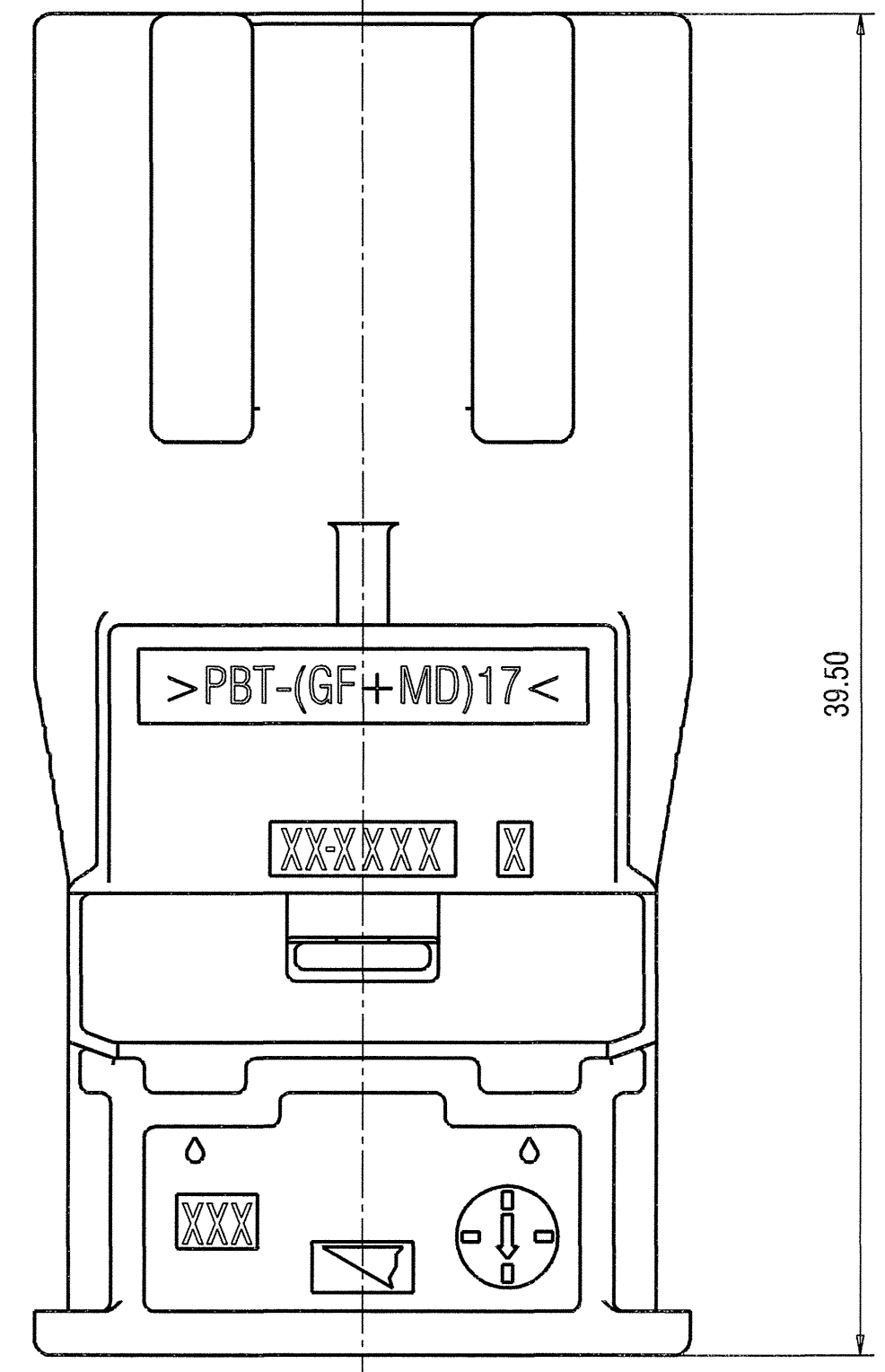
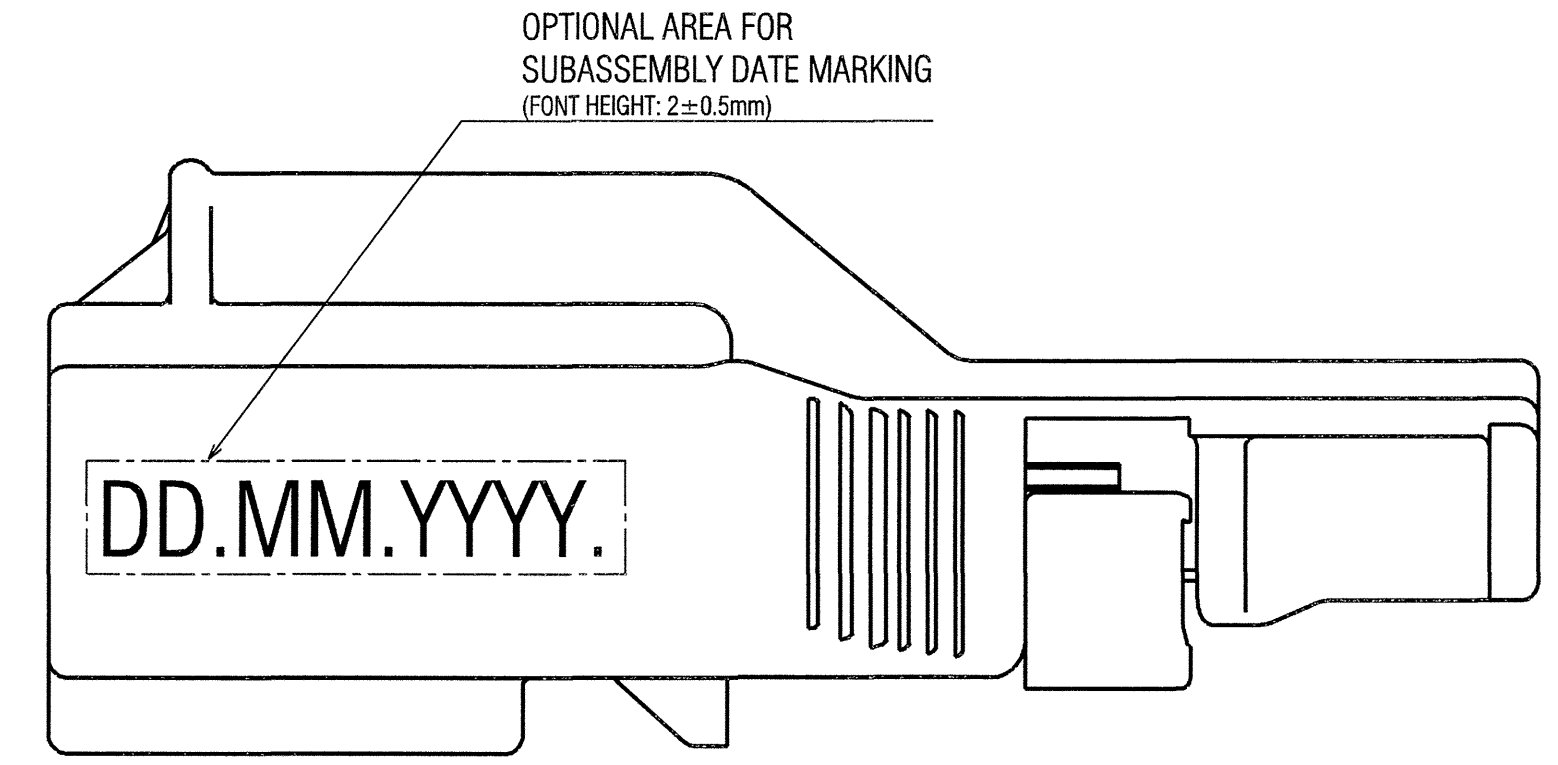
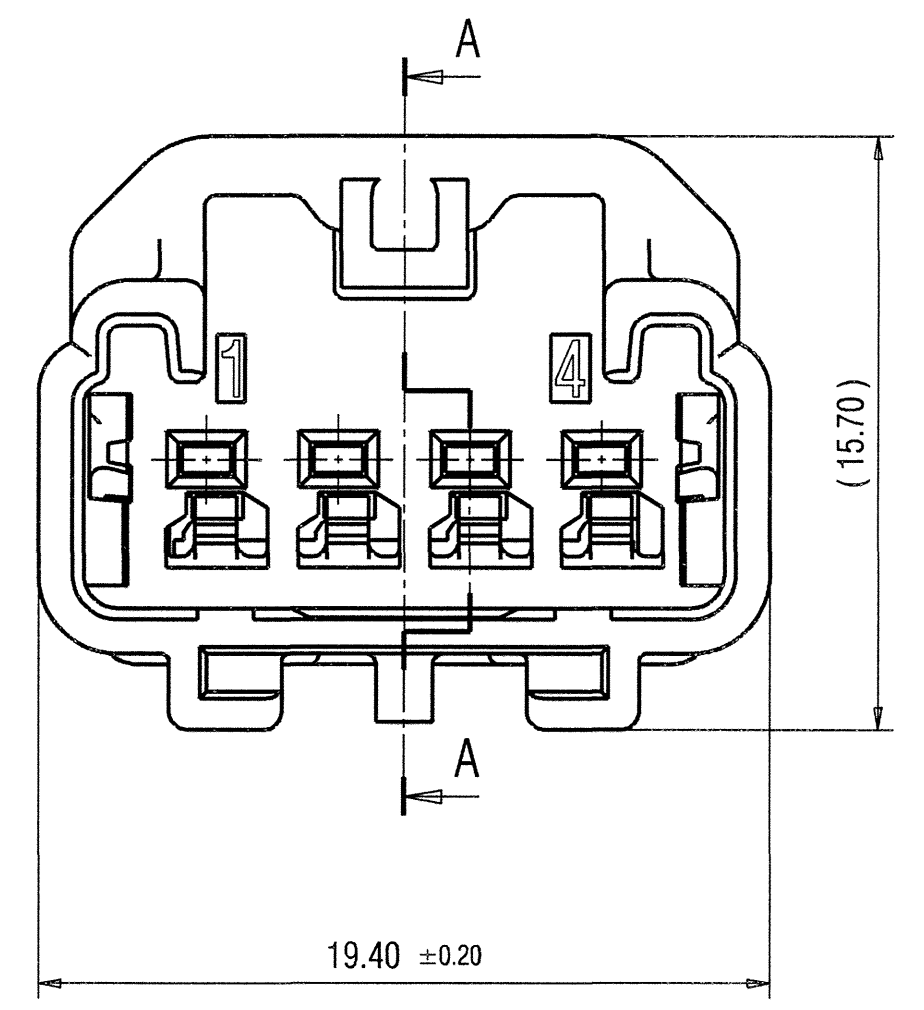


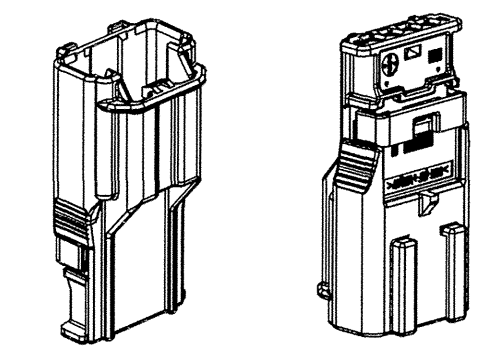
1

CODE OVERVIEW

CODE A (SCALE 2:1)	CODE B (SCALE 2:1)	CODE C (SCALE 2:1)	CODE D (SCALE 2:1)	CODE 0 (SCALE 2:1)
				
P/N: 7288-7842-30 COLOR: BLACK (SIMILAR TO RAL 9005) 4P 1.2 NWP SYSTEM CONNECTOR M SUBASSEMBLY CODE A	P/N: 7288-7843-60 COLOR: GREEN (SIMILAR TO RAL 6002) 4P 1.2 NWP SYSTEM CONNECTOR M SUBASSEMBLY CODE B	P/N: 7288-7844-90 COLOR: BLUE (SIMILAR TO RAL 5005) 4P 1.2 NWP SYSTEM CONNECTOR M SUBASSEMBLY CODE C	P/N: 7288-7845-80 COLOR: BROWN (SIMILAR TO RAL 8011) 4P 1.2 NWP SYSTEM CONNECTOR M SUBASSEMBLY CODE D	P/N: 7288-7841-20 COLOR: PURPLE (SIMILAR TO RAL 4006) 4P 1.2 NWP SYSTEM CONNECTOR M SUBASSEMBLY CODE 0



- NOTES:
- MATERIAL: SEE TABLE;
  - COLOR: SEE CODE OVERVIEW;
  - APPLICABLE TERMINALS: 1.2 CB SYSTEM M COMPATIBLE;
  - THIS DIMENSION SHOWS THE PRESET POSITION OF SIDE SPACER ON THE SUBASSEMBLY;
  - MATING PRODUCT: 7289-7837-30 ETC.;
  - FOR GENERAL GEOMETRICAL TOLERANCE SEE TABLE (ECCENT=ECCENTRICITY);
  - HANDLING MANUAL: YPES-15-1664E;
  - PRODUCT STANDARD: TBD;
  - THE MATERIAL USED IN THIS PRODUCT ARE IN CONFORMITY WITH REQUIREMENTS OF EU ELV 2000/53/EC DIRECTIVE AND ASSOCIATED DOCUMENTS;



ISOMETRIC VIEW  
(SCALE 1:1)

YAZAKI SUBASSY PART NO.	NAME	NO.	YAZAKI PART NO.	NAME	MATERIAL	COLOR	QTY.
7288-7842-30	4P 1.2 NWP SYSTEM CONNECTOR MALE SUBASSEMBLY CODE A	①	7188-7842-30	4P 1.2 NWP SYSTEM M HOUSING CODE A	PBT-(GF+MD)17	BLACK	1
		②	7172-1397	4P 1.2 NWP SYSTEM M/F SIDE SPACER	PBT-GF30	NATURAL	1
7288-7843-60	4P 1.2 NWP SYSTEM CONNECTOR MALE SUBASSEMBLY CODE B	③	7188-7843-60	4P 1.2 NWP SYSTEM M HOUSING CODE B	PBT-(GF+MD)17	GREEN	1
		②	7172-1397	4P 1.2 NWP SYSTEM M/F SIDE SPACER	PBT-GF30	NATURAL	1
7288-7844-90	4P 1.2 NWP SYSTEM CONNECTOR MALE SUBASSEMBLY CODE C	④	7188-7844-90	4P 1.2 NWP SYSTEM M HOUSING CODE C	PBT-(GF+MD)17	BLUE	1
		②	7172-1397	4P 1.2 NWP SYSTEM M/F SIDE SPACER	PBT-GF30	NATURAL	1
7288-7845-80	4P 1.2 NWP SYSTEM CONNECTOR MALE SUBASSEMBLY CODE D	⑤	7188-7845-80	4P 1.2 NWP SYSTEM M HOUSING CODE D	PBT-(GF+MD)17	BROWN	1
		②	7172-1397	4P 1.2 NWP SYSTEM M/F SIDE SPACER	PBT-GF30	NATURAL	1
7288-7841-20	4P 1.2 NWP SYSTEM CONNECTOR MALE SUBASSEMBLY CODE 0	⑥	7188-7841-20	4P 1.2 NWP SYSTEM M HOUSING CODE 0	PBT-(GF+MD)17	PURPLE	1
		②	7172-1397	4P 1.2 NWP SYSTEM M/F SIDE SPACER	PBT-GF30	NATURAL	1

LET	DATE	REVISION RECORD	NO.	CHKD
-	07.05.2016.	NEW	Y16-0438	B.F.

GENERAL TOLERANCE						
	10MAX	50MAX	100MAX	250MAX	2500VR	
A	±0.15	±0.2	±0.3	±0.5	±0.75	±30'
B	±0.2	±0.3	±0.55	±0.95	±1.4	±30'
⊙	±0.3	±0.5	±0.8	±1.4	±2	±30'
SPECIFIED	MASS					4.11 g

CUSTOMER PART NO.	CUSTOMER DWG NO.	MATL. SPEC.	SEE NOTES	TREAT. & FIN.
OFFICE YEL-P	TRIAL PART NO.	NAME		
VENDOR	X41582-E086	4P 1.2 NWP SYSTEM CONNECTOR (M) SUBASSEMBLY		
VENDOR NO.		PART NO.	7288-7842-30 ETC.	SET DWG NO.
		DWG NO.	7288-7842-30-R	
APPROVED		CHECKED	CHECKED	DESIGN
G. GREGURIC	B. FRETZE	T. GREBENAR	T. COTA	D. MIHALINEC
12.7.2016.	11.07.2016.	08.07.2016.	07.07.2015.	07.05.2016.



A1