

1

2

3

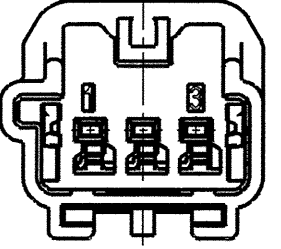
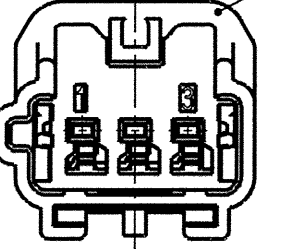
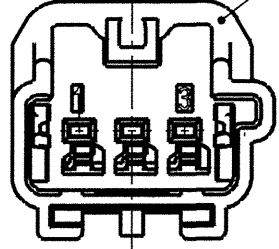
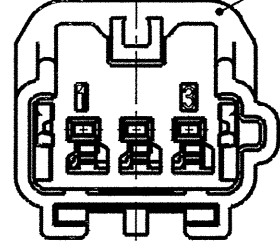
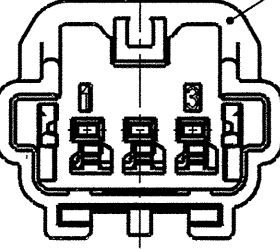
4

5

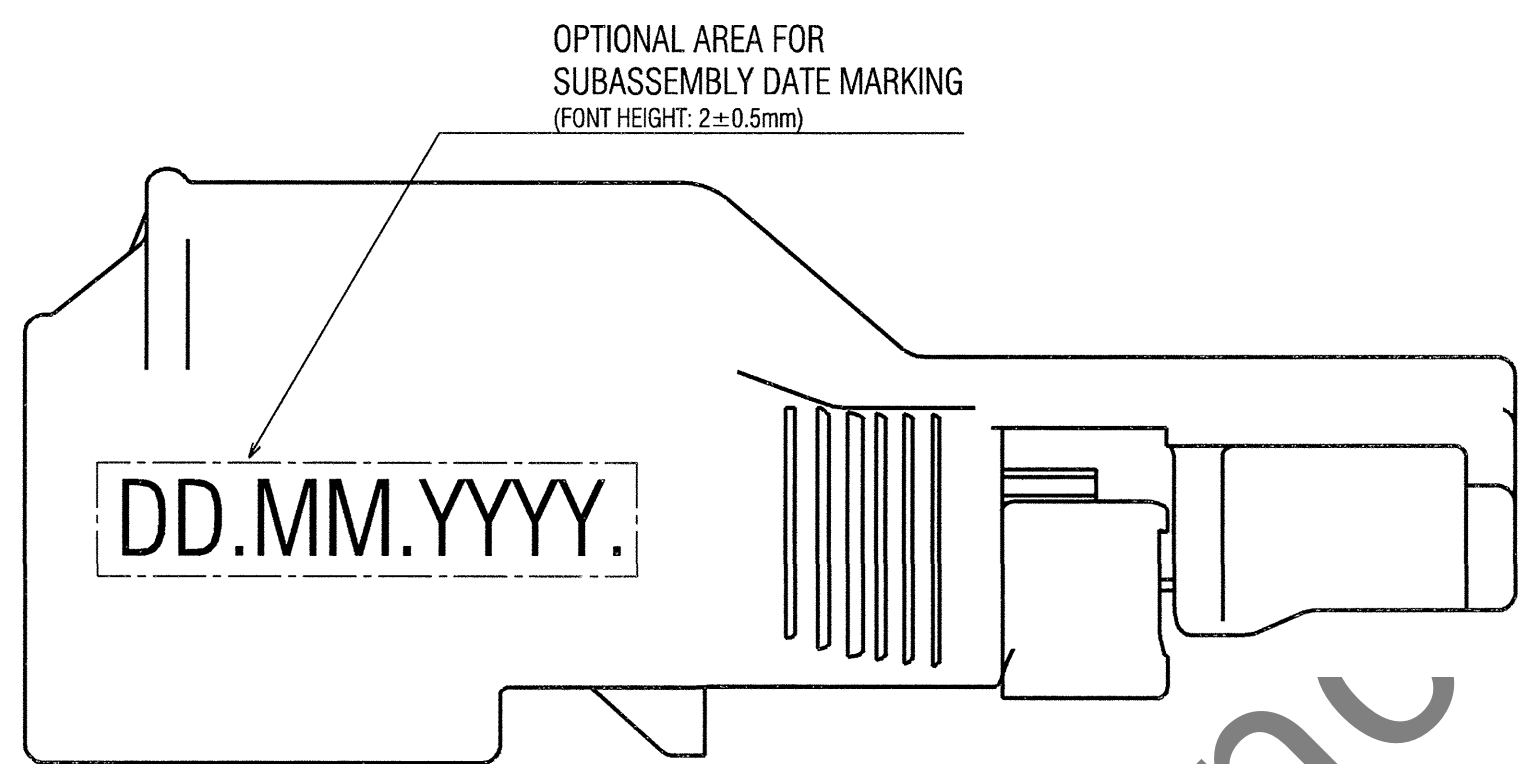
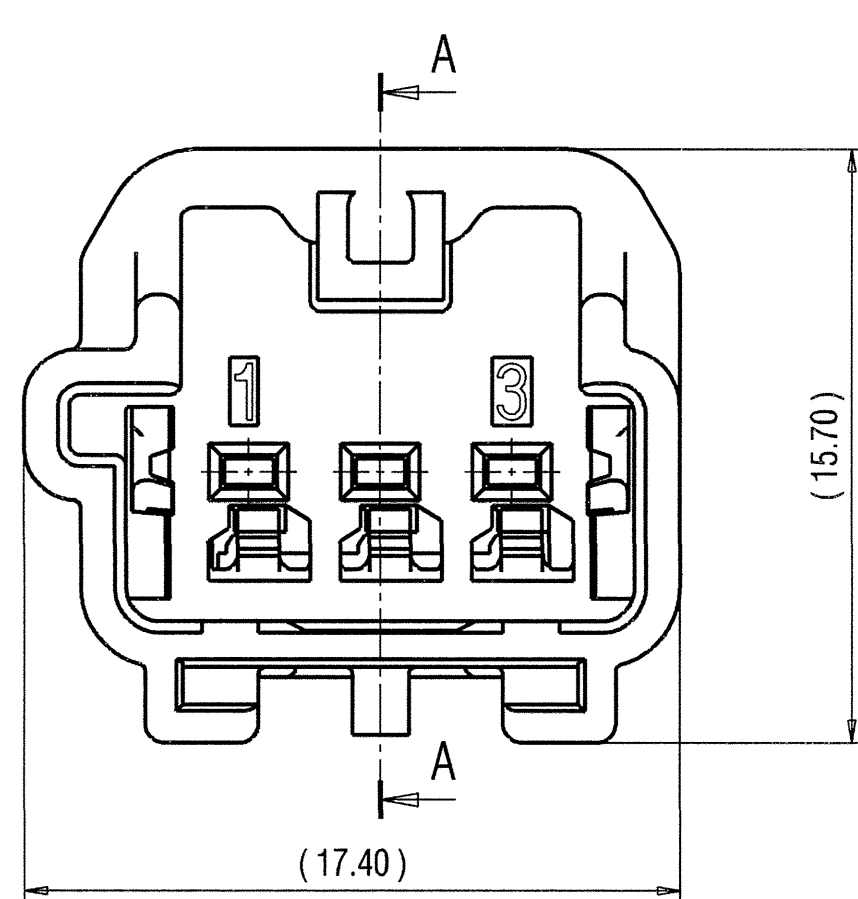
6

7

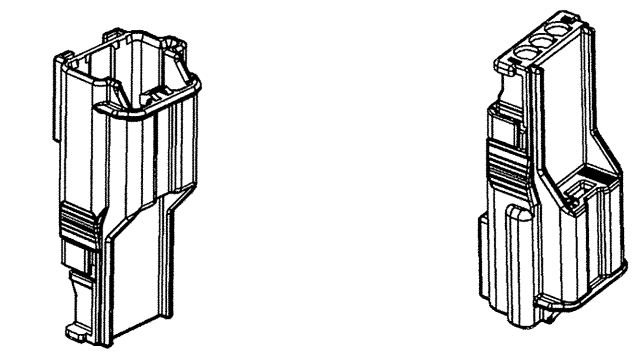
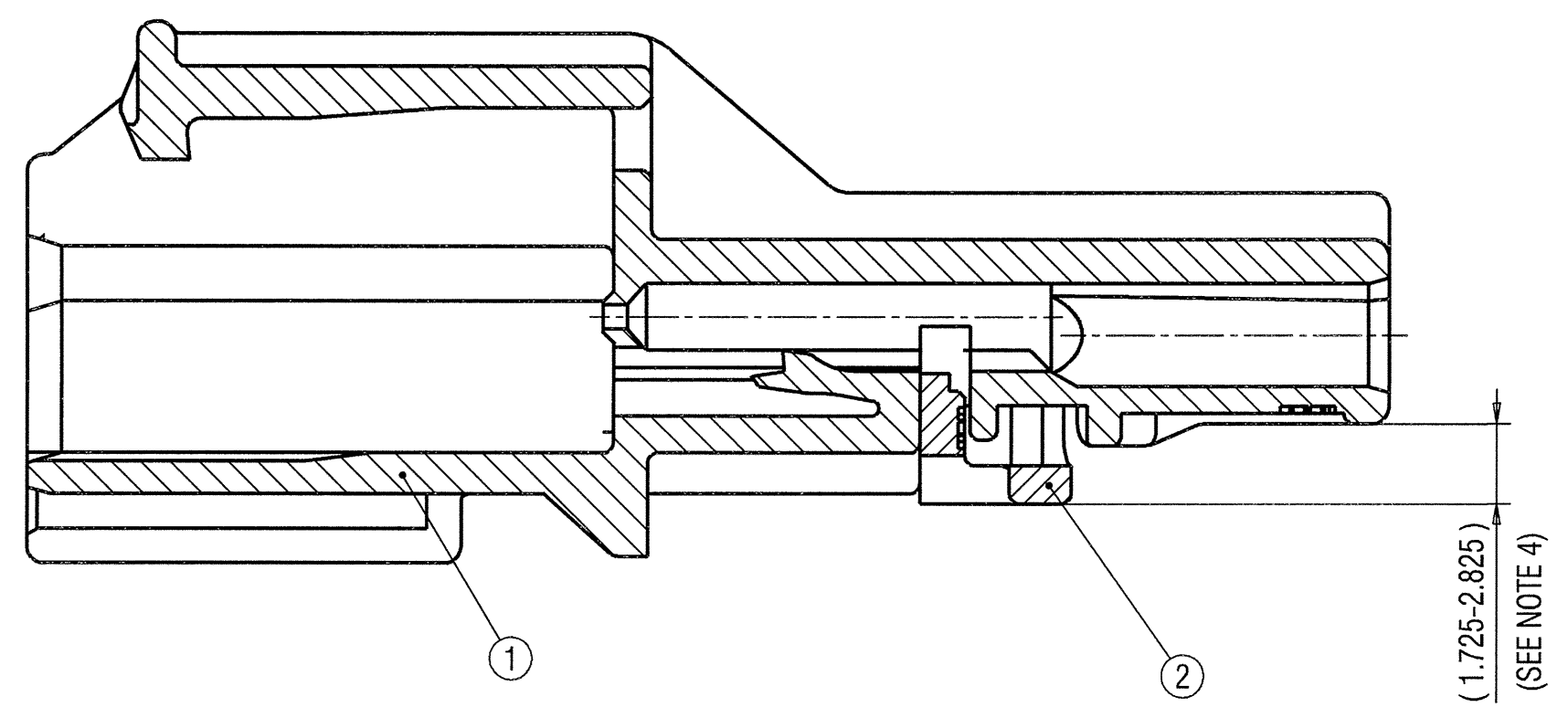
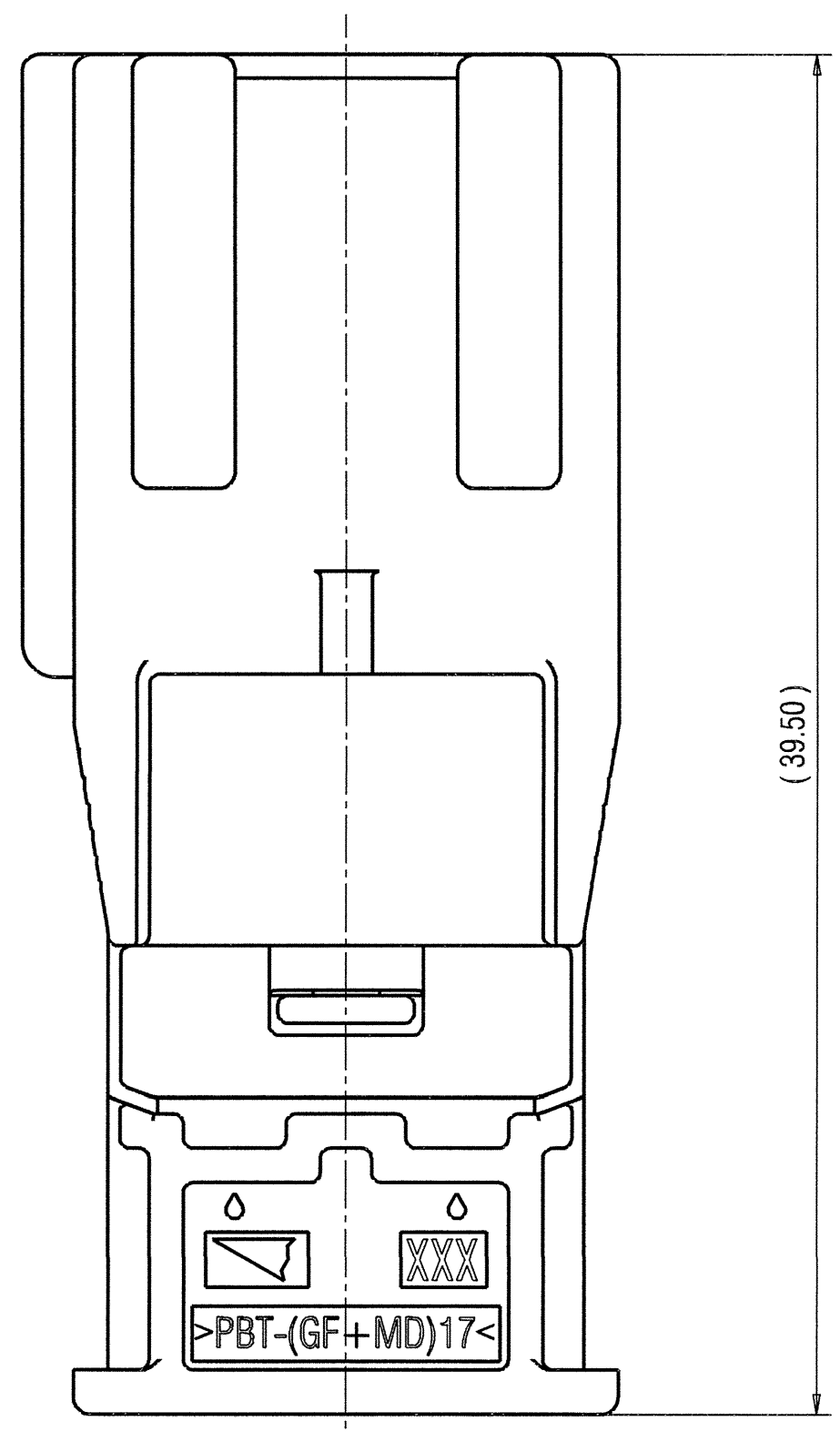
CODE OVERVIEW

CODE A (SCALE 2:1)	CODE B (SCALE 2:1)	CODE C (SCALE 2:1)	CODE D (SCALE 2:1)	CODE 0 (SCALE 2:1)
				
P/N: 7288-7832-30 COLOR: BLACK (SIMILAR TO RAL 9005) 3P 1.2 NWP SYSTEM CONNECTOR M SUBASSEMBLY CODE A	P/N: 7288-7833-60 COLOR: GREEN (SIMILAR TO RAL 6002) 3P 1.2 NWP SYSTEM CONNECTOR M SUBASSEMBLY CODE B	P/N: 7288-7834-90 COLOR: BLUE (SIMILAR TO RAL 5005) 3P 1.2 NWP SYSTEM CONNECTOR M SUBASSEMBLY CODE C	P/N: 7288-7835-80 COLOR: BROWN (SIMILAR TO RAL 8011) 3P 1.2 NWP SYSTEM CONNECTOR M SUBASSEMBLY CODE D	P/N: 7288-7831-20 COLOR: PURPLE (SIMILAR TO RAL 4006) 3P 1.2 NWP SYSTEM CONNECTOR M SUBASSEMBLY CODE 0

YAZAKI SUBASSY PART NO.	NAME	NO.	YAZAKI PART NO.	NAME	MATERIAL	COLOR	QTY.
7288-7832-30	3P 1.2 NWP SYSTEM CONNECTOR MALE SUBASSEMBLY CODE A	①	7188-7832-30	3P 1.2 NWP SYSTEM M HOUSING CODE A	PBT-(GF+MD)17	BLACK	1
		②	7172-1396	3P 1.2 NWP SYSTEM M/F SIDE SPACER	PBT-(GF+MD)17	NATURAL	1
7288-7833-60	3P 1.2 NWP SYSTEM CONNECTOR MALE SUBASSEMBLY CODE B	③	7188-7833-60	3P 1.2 NWP SYSTEM M HOUSING CODE B	PBT-(GF+MD)17	GREEN	1
		②	7172-1396	3P 1.2 NWP SYSTEM M/F SIDE SPACER	PBT-(GF+MD)17	NATURAL	1
7288-7834-90	3P 1.2 NWP SYSTEM CONNECTOR MALE SUBASSEMBLY CODE C	④	7188-7834-90	3P 1.2 NWP SYSTEM M HOUSING CODE C	PBT-(GF+MD)17	BLUE	1
		②	7172-1396	3P 1.2 NWP SYSTEM M/F SIDE SPACER	PBT-(GF+MD)17	NATURAL	1
7288-7835-80	3P 1.2 NWP SYSTEM CONNECTOR MALE SUBASSEMBLY CODE D	⑤	7188-7835-80	3P 1.2 NWP SYSTEM M HOUSING CODE D	PBT-(GF+MD)17	BROWN	1
		②	7172-1396	3P 1.2 NWP SYSTEM M/F SIDE SPACER	PBT-(GF+MD)17	NATURAL	1
7288-7831-20	3P 1.2 NWP SYSTEM CONNECTOR MALE SUBASSEMBLY CODE 0	⑥	7188-7831-20	3P 1.2 NWP SYSTEM M HOUSING CODE 0	PBT-(GF+MD)17	PURPLE	1
		②	7172-1396	3P 1.2 NWP SYSTEM M/F SIDE SPACER	PBT-(GF+MD)17	NATURAL	1



- NOTES:
- MATERIAL: SEE TABLE;
 - COLOR: SEE CODE OVERVIEW;
 - APPLICABLE TERMINALS: 1.2 CB SYSTEM M COMPATIBLE;
 - THIS DIMENSION SHOWS THE PRESET POSITION OF SIDE SPACER ON THE SUBASSEMBLY;
 - MATING PRODUCT: 7289-7822-30 ETC.;
 - FOR GENERAL GEOMETRICAL TOLERANCE SEE TABLE (ECCENT=ECCENTRICITY);
 - HANDLING MANUAL: YPES-15-1664E;
 - PRODUCT STANDARD: TBD.;
 - THE MATERIAL USED IN THIS PRODUCT ARE IN CONFORMITY WITH REQUIREMENTS OF EU ELV 2000/53/EC DIRECTIVE AND ASSOCIATED DOCUMENTS;



ISOMETRIC VIEW (SCALE 1:1)

LET	DATE	REVISION RECORD	NO.	CHKD
-	05.07.2016.	NEW	Y16-0438	B.F.

GENERAL TOLERANCE							
	10MAX	50MAX	100MAX	250MAX	2500VR		
A	±0.15	±0.2	±0.3	±0.5	±0.75	±30'	
B	±0.2	±0.3	±0.55	±0.95	±1.4	±30'	
Ⓢ	±0.3	±0.5	±0.8	±1.4	±2	±30'	
SPECIFIED						MASS	3.6 g

CUSTOMER		MATERIAL SPEC.		TREAT. & FIN.	
CUSTOMER PART NO.	CUSTOMER DWG NO.	SEE NOTES	-		
OFFICE YEL-P	TRIAL PART NO.	NAME			
VENDOR	X41582-E084	3P 1.2 NWP SYSTEM CONNECTOR (M) SUBASSEMBLY			
VENDOR NO.		PART NO. 7288-7832-30 ETC.			
DWG TYPE	DWG SOURCE	DWG DATE	UNIT	SCALE	ANGLE
R	NEW	05.07.2016.	mm	5/1	3
APPROVED	CHECKED	CHECKED	DESIGN	DRAWN	
G. GREGURIC	B. FRETZE	T. GREBENAR	T. COTA	D. MIHALINEC	
12.7.2016.	12.07.2016.	09.07.2016.	07.07.2015.	05.07.2016.	
DWG NO. 7288-7832-30-R		SET DWG NO.			



A1