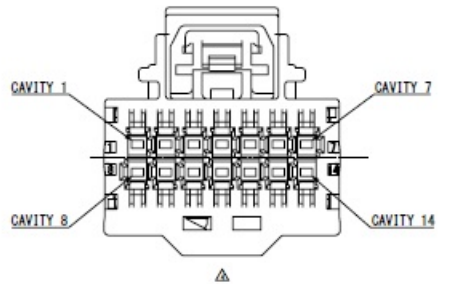
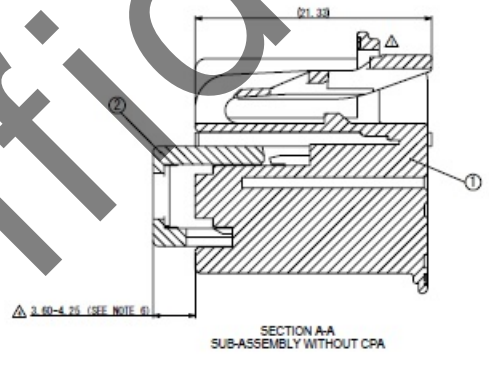
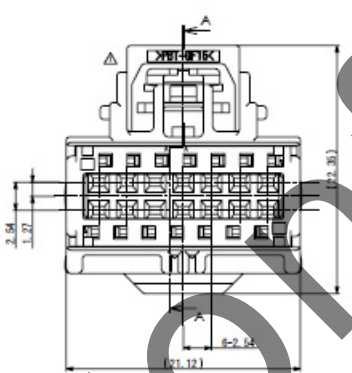
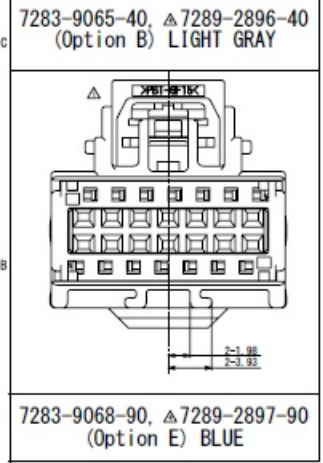
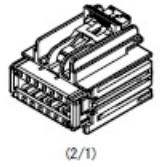
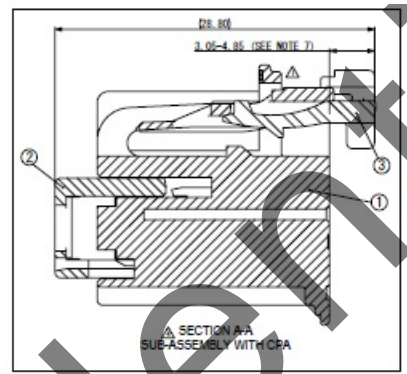
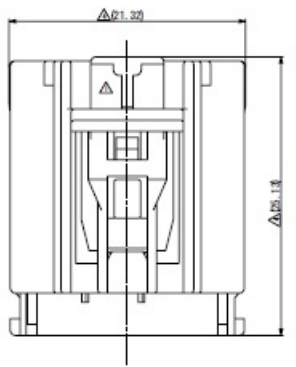
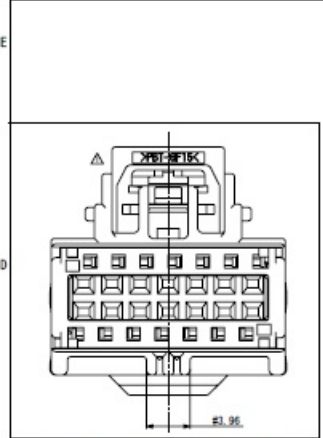


GENERAL TOLERANCE												
	10 MAX	50 MAX	100 MAX	250 MAX	250 OVR	R5 MAX	R10 MAX	R20 MAX	R20 OVR	ANGLE	ECCENT	
A	±0.15	±0.2	±0.3	±0.5	±0.75					±3°	0.1	
B	±0.2	±0.3	±0.55	±0.95	±1.4	±0.2	±0.3	±0.5	±2.5	±3°	0.1	
C	±0.3	±0.5	±0.8	±1.4	±2					±3°	0.15	

MASS
SEE TABLE 2

SUB-ASSEMBLY PART NUMBER	NO.	PART NUMBER	PART NAME	MATERIAL	COLOR	QUANTITY
SEE TABLE 2	①	715B-05B4	14P YESC KAIZEN 0.64 UNSEALED FEMALE HOUSING	PBT-SF15	SEE TABLE 2	1
SEE TABLE 2	②	715B-05B4	14P YESC KAIZEN 0.64 UNSEALED FEMALE TPA	PBT-SF15	NATURAL	1
	③	7172-10B1-50	YESC KAIZEN 0.64 UNSEALED CPA	NYLON	RED	1

TABLE 2	SUB ASSEMBLY PART NUMBER	HOUSING PART NUMBER	KEYWAY	CPA	COLOR	WEIGHT (g)	YAZAKI INLINE MATING PART NUMBER
△	7283-9065-40	7130-9065-60	0	NO	LIGHT GRAY	(6.71)	N/A
△	7283-9068-90	7130-9068-60	0	NO	BLUE	(6.71)	N/A
△	7283-2896-40	7130-9065-60	1	YES	LIGHT GRAY	(5.02)	N/A
△	7283-2897-90	7130-9068-60	1	YES	BLUE	(5.02)	N/A



- △ NOTES
- PARTS MUST BE PURCHASED FROM YAZAKI.
 - PARTS MUST BE FREE OF FLAKES AND IMPURITIES THAT AFFECT FUNCTION.
 - APPLICABLE TERMINAL NUMBER: SEE 7116-4616-02-R.
 - PART DESIGNED TO SATISFY ISO9001-2 REV. 3, DATED APRIL 2001, TEMPERATURE CLASS 2 WITH THE FOLLOWING EXCEPTIONS:
 5. 4.2 LOCK DEFLECTION FORCE.
 - PART DESIGNED TO MEET LINK INTERFACE: 06A-0-014-2-201.
 - THIS DIMENSION SHOWS THE PRE-SET POSITION OF THE CPA.
 - PART TO COMPLY WITH YESC-01-038 REQUIREMENTS.
 - THIS DRAWING IS TO BE USED FOR INTERNAL YAZAKI PER PERMISSION.

REV	DATE	REVISION REASON	NO.	DRW
△	11-03-2016	ADDED ITEM, PART NUMBER, DIMENSIONS & REVISED NOTES	C16-4827	V. L.
△	03-15-2010	CHANGED PART NAME	C16-DA71	M. E.
△	02-09-2003	CHANGED REF	C08-1133	T. Y.
△	06-27-2006	CHANGED FORM & ETC.	C08-4038	T. Y.
△	12-22-2003	NEW	C03-8529	T. W.

SEARCHED	INDEXED	FILED	DATE	TIME	BY	NO.	REV.	DATE	TIME	BY	NO.	REV.
PART NO. 7283-9065-40 ETC. SUB CODE 7283-9065-40-R PART NAME KAIZEN 0.64 SYSTEM UNSEALED CONNECTOR 14P (F) SUB ASSEMBLY MANUFACTURER YAZAKI CORPORATION YAZAKI CORPORATION												