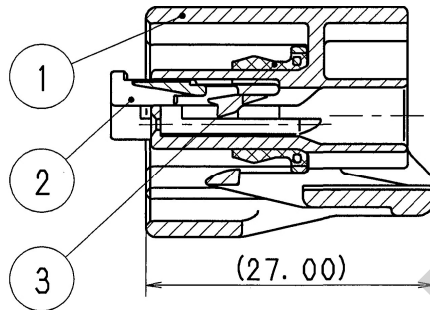
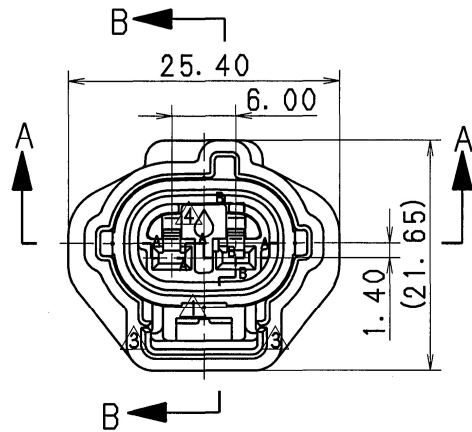


TABLE 1

SUB ASSEMBLY PART NO. AND CH. CODE	NO.	PART NO. AND CH. CODE	PART NAME	MATERIAL	COLOR	QTY.
7283-8220 ETC.	①	SEE TABLE 2	2. 3II 2P SEALED HOUSING FEMALE	PBT	SEE TABLE 2	1
	②	7157-4347	2. 3II 2P SEALED HOUSING SPACER FEMALE	PBT	NATURAL	1
	③	7137-2240-60	2. 3II 2P SEALED HOUSING PACKING	SILICONE RUBBER	LIGHT GREEN	1



SEC. B-B

TABLE 2

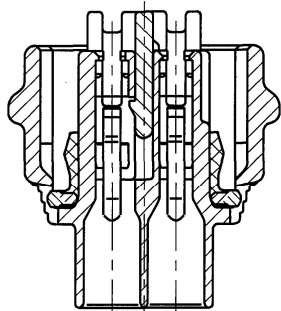
SUB ASSEMBLY PART NO. AND CH. CODE	PART NO. AND CH. CODE	COLOR
7283-8220.□	7183-8220	NATURAL
7283-8220-10.□	7183-8220-10	DARK GRAY
7283-8220-30.□	7183-8220-30	BLACK
7283-8220-40.□	7183-8220-40	LIGHT GRAY
7283-8220-80.□	7183-8220-80	BROWN

注記

1. 取扱説明書No. : YPES-15-222

NOTE

1. HANDLING MANUAL NO. : YPES-15-222



SEC. A-A

⑤	12.03.20	ADDED NOTE, ETC.	C12-Z320	R. B
④	08.03.31	CHANGED PART NO., ETC.	C08-Z229	C. T
③	00.11.20	CHANGED FORM, COLOR & MATERIAL.□	C00-M527	C. T
②	00.05.13	CORRECT ALL ERRORS & ELIMINATED COLOR NO.	C00-L688	H. T
①	97.05.08	CHANGED FORM.□	C97-L778	H. K
	93.03.17	NEW	C93-L325	H. F
LET	DATE	REVISION RECORD	NO.	CHKD

CUSTOMER		MATL. SPEC.	SEE TABLE 1	TREAT. & FIN.
CUSTOMER PART NO.		CUSTOMER DWG NO.		
OFFICE		TRIAL PART NO.		
VENDOR		VENDOR NO.		

NAME	②. 3II 2P SEALED HOUSING FEMALE SUB ASSEMBLY
PART NO. CH. CODE	7283-8220 ETC.
DWG NO.	7283-8220:R
SET DWG NO.	

GENERAL TOLERANCE								DWG TYPE					DWG SOURCE		DWG DATE		UNIT	SCL	ANGLE
	10MAX	50MAX	100MAX	250MAX	250QVR	ANGLE	ECCENT												
A	±0.15	±0.2	±0.3	±0.5	±0.75	±30'	0.1	R	NEW	93.03.17	mm	2/1	3						
B	±0.2	±0.3	±0.55	±0.95	±1.4	±30'	0.1	APPROVED	CHECKED	CHECKED	DESIGN	DRAWN							
③	±0.3	±0.5	±0.8	±1.4	±2	±30'	0.15	M. FUKUDA	Y. SASAKI	K. KIDA	TAKEUCHI	R. BUERANO							
SPECIFIED	MASS							12.03.20	12.03.20	12.03.20	90.04.06	12.03.20							

ISSUE MARK



YAZAKI CORPORATION