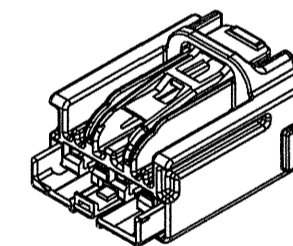
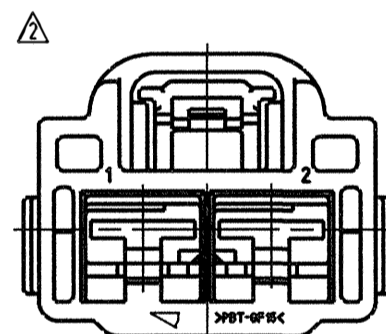
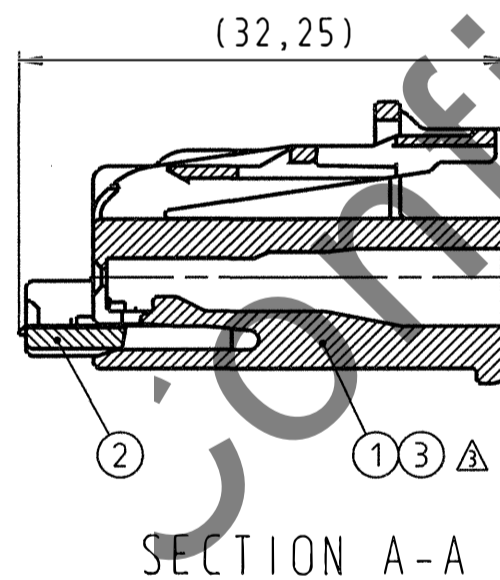
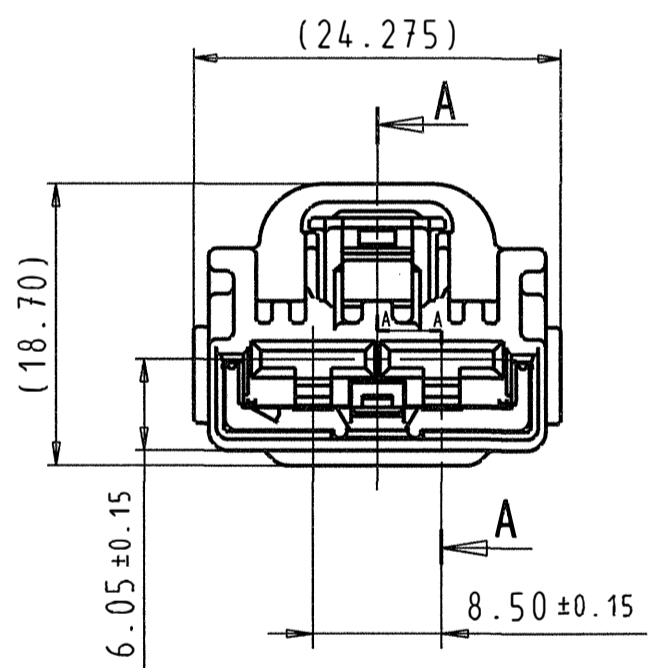
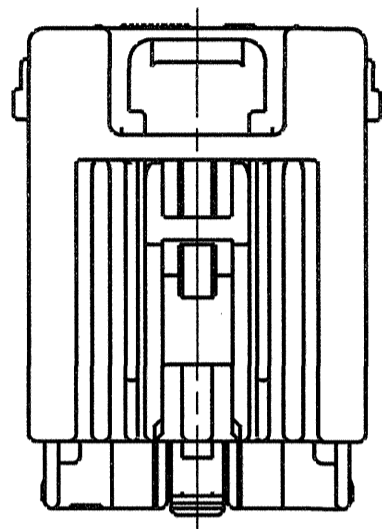


SUB ASSEMBLY PART NO.	NO.	PART NO.	PART NAME	MATERIAL	COLOR	QTY.	YAZAKI MATING PART NO.
7283-6458-40	①	7183-6458-40	YESC KAIZEN 6.3 SYSTEM CONNECTOR 2P (F) HOUSING	PBT-GF15	LIGHT GREY	1	7282-6458-40
	②	7158-5987	YESC KAIZEN 6.3 SYSTEM CONNECTOR 2P (F) FRONT HOLDER	PBT	NATURAL	1	
△ 7283-6458-30	③	7183-6458-30	YESC KAIZEN 6.3 SYSTEM CONNECTOR 2P (F) HOUSING	PBT-GF15	BLACK	1	7282-6458-30
	②	7158-5987	YESC KAIZEN 6.3 SYSTEM CONNECTOR 2P (F) FRONT HOLDER	PBT	NATURAL	1	

- △ NOTES
- MATERIAL: SEE TABLE;
 - COLOR: SEE TABLE;
 - APPLICABLE TERMINALS: 7116-4120-02, ETC;
 - MATING PRODUCT ACCORDING DRAWING: 7282-6458-40:R;
 - FOR GENERAL GEOMETRICAL TOLERANCE SEE TABLE (ECCENT= ECCENTRICITY);
 - HANDLING MANUAL: YPES-15-599;
 - THE MATERIALS USED IN THIS PRODUCT ARE IN CONFORMITY WITH REQUIREMENTS OF EU ELV 2000/53/EC DIRECTIVE AND ASSOCIATED DOCUMENTS.



ISOMETRIC VIEW
(SCALE 1:1)

ISSUE MARK

LET	DATE	REVISION RECORD	NO.	CHKD
△	03.11.2014	ADDED NEW PART NUMBER	Y14-0604	M.V.
△	16.04.2014	ADDED BACK VIEW & NOTES UPDATED	Y14-0215	D.B.
△	06.08.2002	CHANGED REVISION RECORD NUMBER	CO2-E232	M.K.
△	06.08.2002	NEW	CO2-E229	M.K.

GENERAL TOLERANCE								
	10MAX	50MAX	100MAX	250MAX	250OVR	ANGLE	ECCENT	
A	±0.15	±0.2	±0.3	±0.5	±0.75	±30'	0.1	
B	±0.2	±0.3	±0.55	±0.95	±1.4	±30'	0.1	
©	±0.3	±0.5	±0.8	±1.4	±2	±30'	0.15	
SPECIFIED							MASS	6.0 g

CUSTOMER		MATL. SPEC.	TREAT. & FIN.
CUSTOMER PART NO.	CUSTOMER DWG NO.	SEE TABLE	
OFFICE		NAME YESC KAIZEN 6.3 SYSTEM CONNECTOR	
VENDOR		2P (F) SUB ASS' Y	
VENDOR NO.		PART NO. 7283-6458-40, ETC. △	
DWG TYPE	DWG SOURCE	DWG DATE	UNIT
R	NEW	06.08.2002	mm
APPROVED	CHECKED	CHECKED	DESIGN
T. SCHALLER	M. VALJAK	T. SALINOVIC	S. TSUCHIYAI
pp. 11.2014.	11.2014.	04.11.2014.	SALINOVIC
DWG NO. 7283-6458-40:R		SET DWG NO.	
YAZAKI			