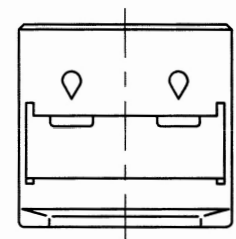
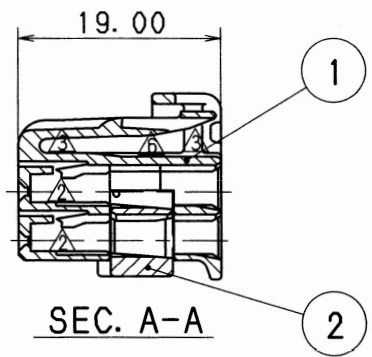
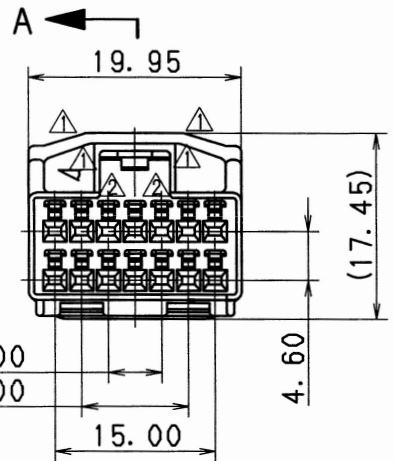


TABLE 1

SUB ASSEMBLY PART NO. AND CH. CODE	NO.	PART NO. AND CH. CODE	MATERIAL	COLOR	QTY.
7283-5832 ETC. △(7C83-5832.□)	①	SEE TABLE 2	PBT	SEE TABLE 2	1
	②	7158-4725 △(7B58-4725)	PBT	NATURAL	1



△ TABLE 2

SUB ASSEMBLY PART NO. AND CH. CODE	PART NO. AND CH. CODE	COLOR
7283-5832.□ (7C83-5832.□)	7183-5832 (7B83-5832)	NATURAL
7283-5832-30.□	7183-5832-30	BLACK
7283-5832-40.□	7183-5832-40	LIGHT GRAY
7283-5832-51.□	7183-5832-51	SAE ORANGE
7283-5832-90.□	7183-5832-90	BLUE

注記

- 嵌合相手品番 : 7282-5832 ETC.
- 適用端子品番 : 7116-4233-02 ETC.
- () 内品番は、エアバック (A/B) 回路及び特別管理回路に使用する時に適用すること。

NOTES

- MATING PART NO. : 7282-5832 ETC.
- APPLICABLE TERMINAL NO. : 7116-4233-02 ETC.
- PART NUMBERS IN PARENTHESIS SHALL BE USED FOR AIR BAG (A/B) CIRCUITS AND OTHER CIRCUITS DESIGNATED FOR SPECIAL MONITORING.

LET	DATE	REVISION RECORD	NO.	CHKD
△	04.01.09	ADDED COLOR NO., A/B PART NO. & CORRECTION OF A CLERICAL ERROR.□	C04-X002	Y. I
△	00.06.30	CHANGED FORM.□	C00-L884	S. S
△	99.07.30	ADDED COLOR NO.	C99-M226	T. M
△	98.08.19	CHANGED FORM	C98-M461	T. M
△	98.06.05	CHANGED FORM & ELIMINATED COLOR NO.	C98-M003	T. M
△	97.05.06	CHANGED FORM	C97-L791	H. K
△	97.03.24	NEW	C97-L586	H. K

CUSTOMER		MATL. SPEC.	TREAT. & FIN.
CUSTOMER PART NO.	CUSTOMER DWG NO.	SEE TABLE 1	
OFFICE	TRIAL PART NO.	NAME △ 1.0Ⅲ (040Ⅲ) 14P CONNECTOR	
VENDOR		HOUSING FEMALE SUB ASSEMBLY	
VENDOR NO.		PART NO. CH. CODE △	7283-5832 ETC. (7C83-5832.□)

GENERAL TOLERANCE							
	10MAX	50MAX	100MAX	250MAX	2500VR	ANGLE	ECCENT
A	±0.15	±0.2	±0.3	±0.5	±0.75	±30'	0.1
B	±0.2	±0.3	±0.55	±0.95	±1.4	±30'	0.1
③	±0.3	±0.5	±0.8	±1.4	±2	±30'	0.15

DWG TYPE	DWG SOURCE	DWG DATE	UNIT	SCL	ANGLE
R	NEW	97.03.24	mm	2/1	3
APPROVED	CHECKED	CHECKED	DESIGN	DRAWN	
<i>[Signature]</i>	<i>[Signature]</i>		T. MIWA	Y. IMAI	
DATE	DATE	DATE	DATE	DATE	
96.06.17	04.01.09				

ISSUE MARK	
PART NO. CH. CODE △	
7283-5832 : R	
SET DWG NO.	
YAZAKI CORPORATION	