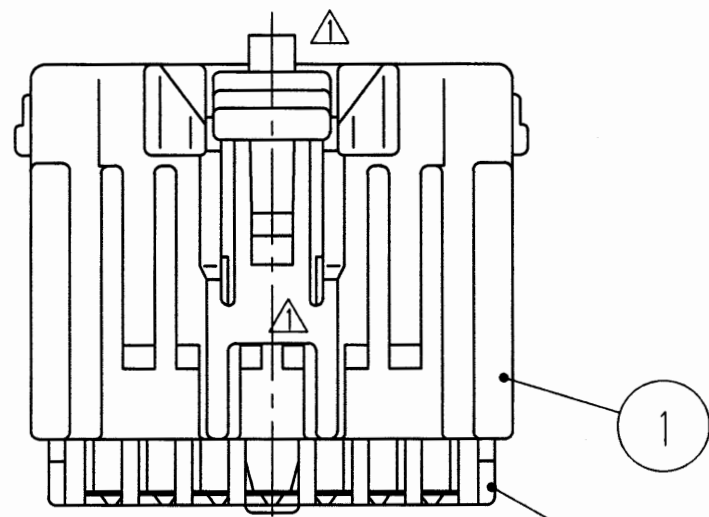
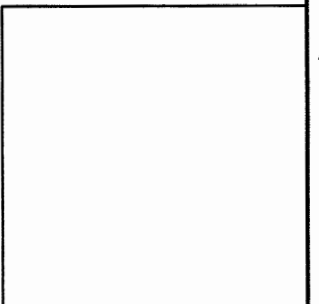
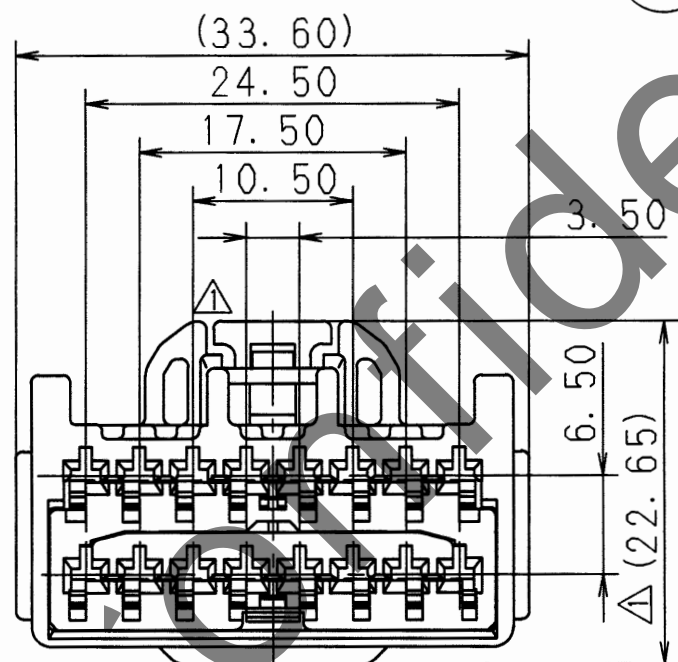
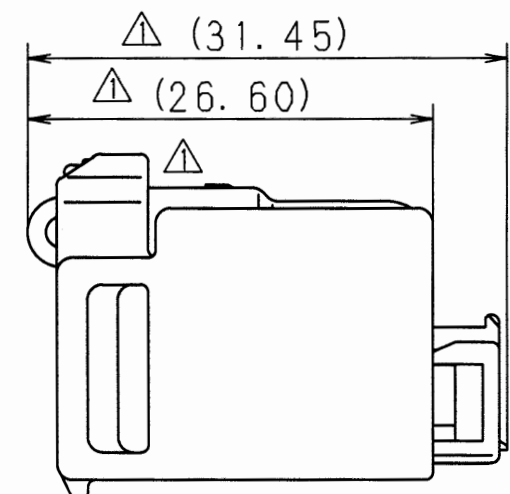


SUB ASSEMBLY PART NO. AND CH. CODE	NO.	PART NO. AND CH. CODE	MATERIAL	COLOR	QTY.
7283-5534-60, \square	①	7183-5534-60	HPA	GREEN	1
	②	7158-4154	HPA	NATURAL	1



注記
 \triangle 1. 嵌合相手品番: 7282-5534-60
 2. 適用端子品番: 7116-4100-02 ETC.

NOTES
 \triangle 1. MATING PART NO. : 7282-5534-60
 2. APPLICABLE TERMINAL PART NO. : 7116-4100-02 ETC.



\triangle 00.11.09	CORRECTION OF A CLERICAL ERROR	C00-M343	E. O	CUSTOMER				MATL. SPEC. SEE TABLE				TREAT. & FIN.					
\triangle 98.01.30	CHANGED FORM & ELIMINATE PART NO., \square	C97-M911	H. K	CUSTOMER PART NO.				CUSTOMER DWG NO.				NAME \triangle 1.5 SYSTEM CONNECTOR					
95.07.13	NEW	C95-L977	N. S	OFFICE				TRIAL PART NO.				16P (F) SUB ASSEMBLY (TYPE-A)					
LET	DATE	REVISION RECORD	NO.	CHKD	VENDOR				VENDOR NO.				PART NO. 7283-5534-60, \square				
GENERAL TOLERANCE				DWG TYPE				DWG SOURCE				DWG DATE				CH. CODE	
	10MAX	50MAX	100MAX	250MAX	2500VR	ANGLE	ECCENT	R	NEW	95.06.30	mm	2/1	3	7283-5534-60:R			
A	± 0.15	± 0.2	± 0.3	± 0.5	± 0.75	$\pm 30'$	0.1	APPROVED	CHECKED	CHECKED	DESIGN	DRAWN		SET DWG NO.			
B	± 0.2	± 0.3	± 0.55	± 0.95	± 1.4	$\pm 30'$	0.1	K. OHTAKA		KIKUCHI		YAZAKI CORPORATION					
(C)	± 0.3	± 0.5	± 0.8	± 1.4	± 2	$\pm 30'$	0.15	00.11.17		00.11.17		00.11.16		95.06.30 00.11.09			
SPECIFIED				MASS				9									

