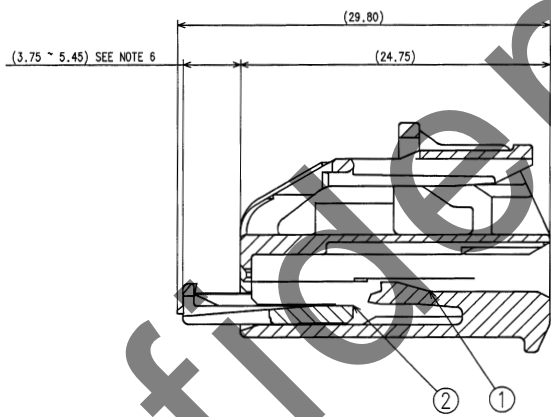
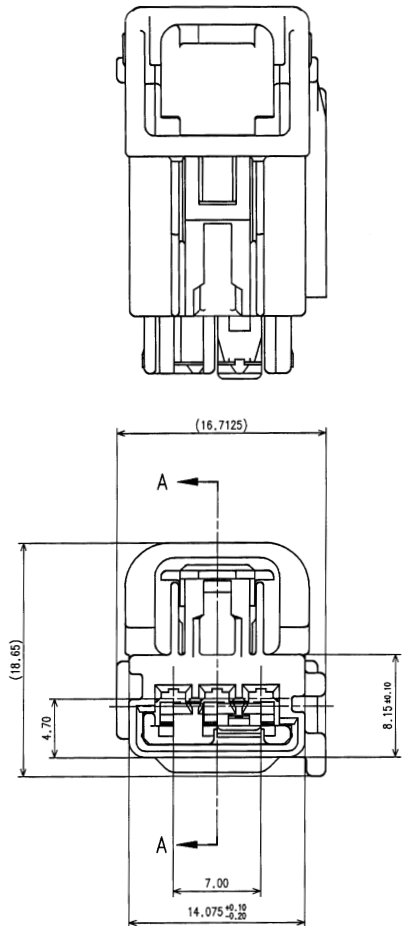


1 2 3 4 5 6 7

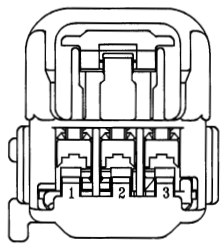
SUB ASSEMBLY PART NUMBER	NO.	PART NUMBER	PART NAME	MATERIAL	COLOR	QUANTITY
7283-3440-40	①	7183-3440-40	3P 1.5mm YESC KAIZEN UNSEALED FEMALE HOUSING	PBT + GF	LIGHT GRAY	1
	②	7158-6190	3P 1.5mm YESC KAIZEN UNSEALED FEMALE TPA	PBT	NATURAL	1



(1/1)



SECTION A-A



- NOTES:
- PARTS MUST BE PURCHASED FROM YAZAKI.
  - PARTS MUST BE FREE OF FLASH AND IMPERFECTIONS THAT AFFECT FUNCTION.
  - APPLICABLE TERMINAL: SEE 7116-4780-02:R DRAWING (1.5mm YESC KAIZEN)  
7116-4100-02:R DRAWING (1.5mm YESC)  
7116-4100-08:R DRAWING (1.5mm YESC)
  - MATING PART NUMBER: 7282-3440-40
  - PART DESIGNED TO SATISFY USCAR-2, REV.3, APRIL 2001, CLASS 2 WITH THE FOLLOWING EXCEPTIONS:  
A. SECTION 5.4.2 LOCK DEFLECTION FORCE
  - THIS DIMENSION SHOWS THE PRE-SET POSITION OF THE TPA.
  - THIS DRAWING IS TO BE USED FOR INTERNAL YAZAKI PSW SUBMISSION.

ISSUE MARK

CUSTOMER	CUSTOMER DWG NO.	MATL. SPEC.	TREAT. & FIN.
CUSTOMER PART NO.		SEE TABLE	
OFFICE	TRIAL PART NO.	NAME	3P 1.5mm YESC KAIZEN UNSEALED
VENDOR			FEMALE SUB-ASSEMBLY
VENDOR NO.			
PART NO.		7283-3440-40	
DWG NO.		7283-3440-40:R	
		YAZAKI CORPORATION	

GENERAL TOLERANCE				DWG TYPE	DWG SOURCE	DWG DATE	UNIT	SCL	ANGLE
A	±0.15	±0.2	±0.3	±0.5	±0.75	±30°	0.1	R	7283-3440-40:R
B	±0.2	±0.3	±0.55	±0.95	±1.4	±30°	0.1	APPROVED	CHECKED
C	±0.3	±0.5	±0.8	±1.4	±2	±30°	0.15	DESIGN	DRAWN
SPECIFIED				WEIGHT	0.18:06 0.05:06 01.85:06 09.26:02 01.03:06				

LET	DATE	REVISION RECORD	NO.	CHKD
-	01_05_06	NEW	006-A020	CJB