

1

2

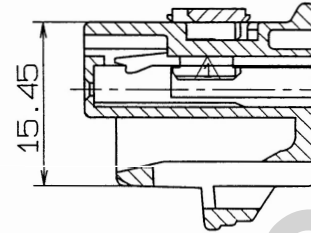
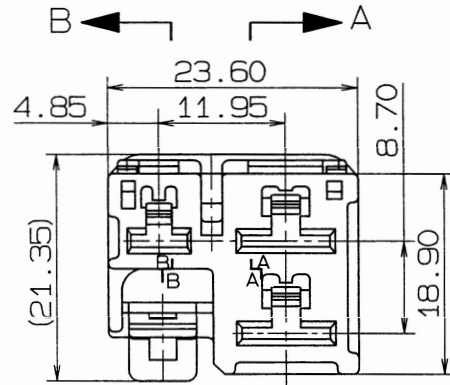
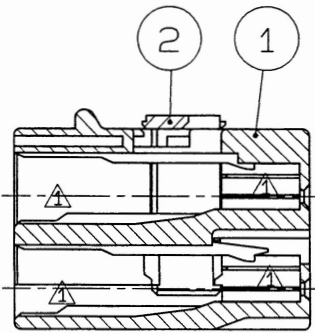
3

TABLE 1

SUB ASSEMBLY PART NO.	NO.	PART NO.	MATERIAL	COLOR	QTY.
7283-3031 ETC.	①	SEE TABLE 2	△ PBT	SEE TABLE 2	1
	②	7157-4443	△ PBT	NATURAL	1

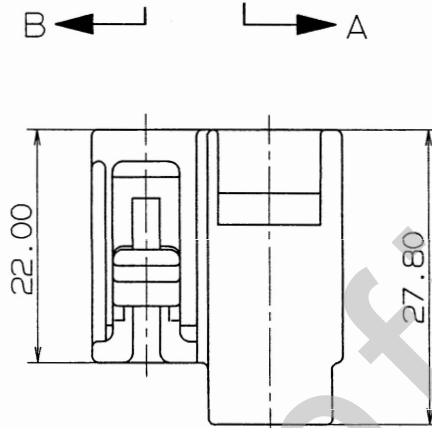
TABLE 2

SUB ASSEMBLY PART NO.	PART NO.	COLOR
7283-3031, □	7183-3031	NATURAL
7283-3031-10, □	7183-3031-10	DARK GRAY
7283-3031-30, □	7183-3031-30	BLACK
7283-3031-40, □	7183-3031-40	LIGHT GRAY
7283-3031-50, □	7183-3031-50	ORANGE
7283-3031-60, □	7183-3031-60	GREEN
7283-3031-80, □	7183-3031-80	BROWN
7283-3031-90, □	7183-3031-90	BLUE



SEC. A-A

SEC. B-B



△ 注記

1. 適用端子番: 187 7116-4030 ETC.  
312 7116-6040 ETC.

△ NOTE

1. APPLICABLE TERMINAL NO.: 187 7116-4030 ETC.  
312 7116-6040 ETC.

ISSUE MARK

△	97.12.11	CHANGED MATERIAL	C97-N745	H.K	CUSTOMER	MATL. SPEC.	SEE TABLE 1	TREAT. & FIN.
△	96.07.24	CHANGED FORM & CHANGED MATERIAL, □	C96-M390	H.K	CUSTOMER PART NO.	CUSTOMER DWG NO.		
	92.12.18	NEW	C92-M150	C.M	OFFICE	TRIAL PART NO.		
LET	DATE	REVISION RECORD	NO.	CHKD	VENDOR	NAME 187 1P+312 2P CONNECTOR		
GENERAL TOLERANCE						HOUSING FEMALE SUB ASSEMBLY		
	10MAX	50MAX	100MAX	250MAX	2500V	ANGLE	ECCENT	DWG TYPE
A	±0.15	±0.2	±0.3	±0.5	±0.75	±30'	0.1	R
B	±0.2	±0.3	±0.55	±0.95	±1.4	±30'	0.1	APPROVED
◎	±0.3	±0.5	±0.8	±1.4	±2	±30'	0.15	CHECKED
SPECIFIED	MASS		97.12.23		97.12.23	97.12.18	90.09.20	97.12.11
						KITAGAWA		SERISAWA
						加藤		山梨
						三輪		杉山
						YAZAKI CORPORATION		

1

2

3