

1

2

3

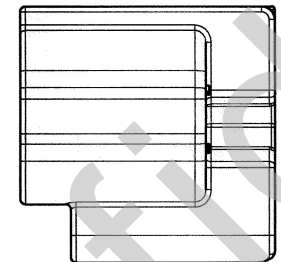
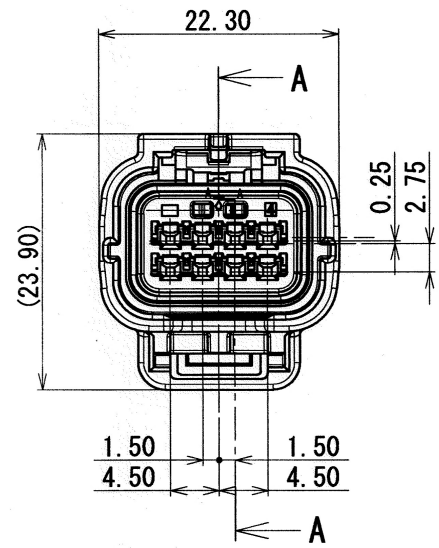
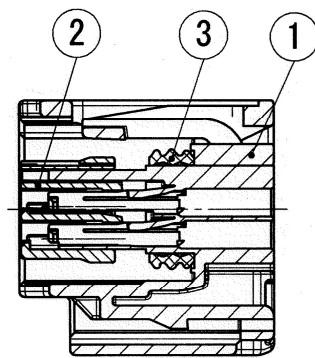
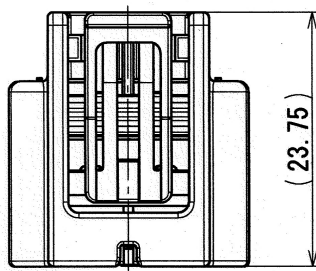


TABLE 1

SUB ASSEMBLY PART NO. AND CH. CODE	NO.	YAZAKI PART NO. AND CH. CODE	MATERIAL	COLOR	QTY.
△ 7283-2148-30 ETC.	①	SEE TABLE 2	PBT	SEE TABLE 2	1
	②	7158-6349	PBT-G	NATURAL	1
	③	7137-2843-80	SILICONE RUBBER	BROWN	1

TABLE 2

SUB ASSEMBLY PART NO. AND CH. CODE	YAZAKI PART NO. AND CH. CODE	COLOR
△ 7283-2148-10	7183-2148-10	DARK GRAY
7283-2148-30	7183-2148-30	BLACK

NOTES

- △ 1. MATING PART NO. : 7282-2148-30 ETC.
- 2. APPLICABLE TERMINAL NO. : 7116-4415-02, 7116-4416-02, 7116-4417-02.
- 3. APPLICABLE SEAL RUBBER NO. : 7158-3165-90, 7158-3166-60, 7158-3167-80, 7158-3168-80
- 4. APPLICABLE UNUSED CAVITY PLUG: 7158-3169-40

注記

- △ 1. 嵌合相手品番 : 7282-2148-30 ETC.
- 2. 適用端子品番 : 7116-4415-02, 7116-4416-02, 7116-4417-02
- 3. 適用ゴム栓品番 : 7158-3165-90, 7158-3166-60, 7158-3167-80  
7158-3168-80
- 4. 適用防水栓品番 : 7158-3169-40

ISSUE MARK

		CUSTOMER				MATL. SPEC.				TREAT. & FIN.					
		CUSTOMER PART NO.		CUSTOMER DWG NO.		SEE TABLE									
△	05/09/29	ADDED COLOR PART NO., ETC.	C05-ZD46	K. N			NAME		HS 025 8P SEALED CONNECTOR						
	04/02/27	NEW	C04-X160	K. N			TRIAL PART NO.		SUB ASSEMBLY FEMALE						
LET	DATE	REVISION RECORD	NO.	CHKD	VENDOR										
GENERAL TOLERANCE				VENDOR NO.											
	10MAX	50MAX	100MAX	250MAX	2500VR	ANGLE	ECCENT	DWG TYPE	DWG SOURCE	DWG DATE	UNIT	SCL	ANGLE	PART NO. CH. CODE	△ 7283-2148-30 ETC.
A	±0.15	±0.2	±0.3	±0.5	±0.75	±30'	0.1	R	NEW	04/02/27	mm	2:1	3	DWG NO.	7283-2148-30:R
B	±0.2	±0.3	±0.55	±0.95	±1.4	±30'	0.1	APPROVED	CHECKED	CHECKED	DESIGN	DRAWN		SET DWG NO.	
③	±0.3	±0.5	±0.8	±1.4	±2	±30'	0.15				K. NIIHO	A. PACABIS			
SPECIFIED				MASS	g	05.09.30		05.09.30		03/08/25		05/09/29		YAZAKI CORPORATION	

1

2

3