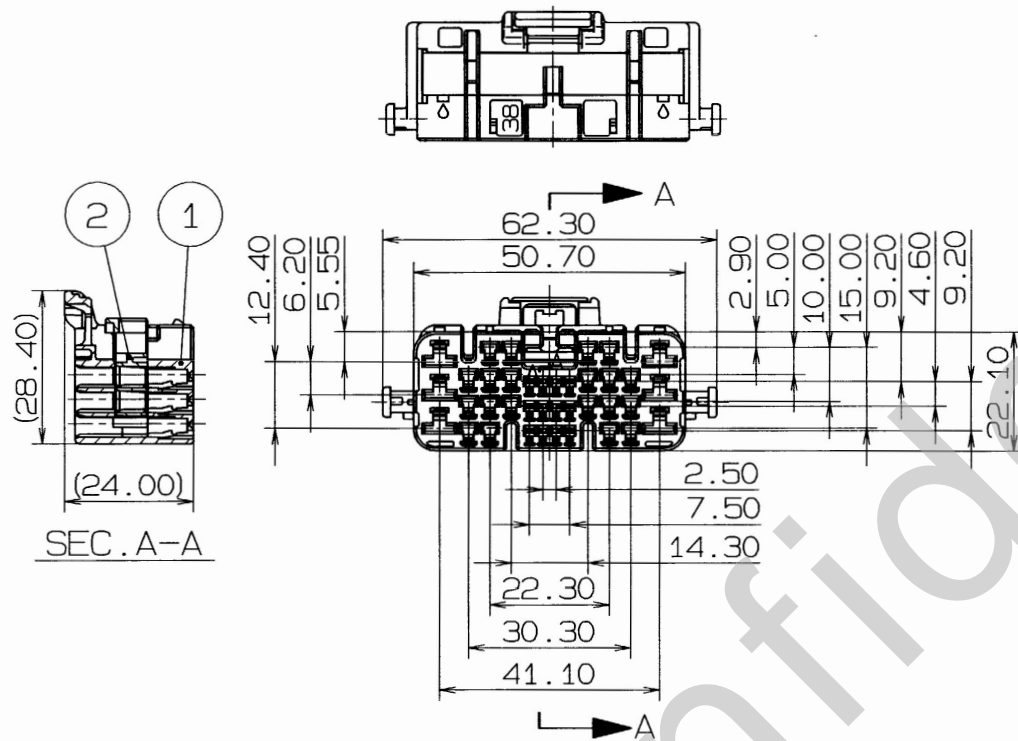


YAZAKI SUB ASSEMBLY PART NO.	NO.	YAZAKI PART NO.	MATERIAL	COLOR	QTY.
7283-1684	①	7183-1684	PBT	NATURAL	1
	②	7158-4755	PBT	NATURAL	1



NOTES

- 1. MATING PART NO. : 7282-1684
- 2. APPLICABLE TERMINAL NO. : (040Ⅱ) 7116-4231-02
(090Ⅱ) 7116-4020 ETC.
(187) 7116-4030 ETC.

注記

- 1. 嵌合相手品番 : 7282-1684
- 2. 適用端子品番 : (040Ⅱ) 7116-4231-02
(090Ⅱ) 7116-4020 ETC.
(187) 7116-4030 ETC.

ISSUE MARK

CUSTOMER										MATL. SPEC. SEE TABLE			TREAT. & FIN.		
CUSTOMER PART NO.					CUSTOMER DWG NO.					NAME 040Ⅱ 12P+090Ⅱ 20P+187 6P					
97.04.17	NEW	C97-L711	H.K	OFFICE	TRIAL PART NO.					LIF CONNECTOR FEMALE SUB ASSEMBLY					
LET	DATE	REVISION RECORD	NO.	CHKD	VENDOR										
GENERAL TOLERANCE										VENDOR NO.					
	10MAX	50MAX	100MAX	250MAX	2500V	ANGLE	ECCENT	DWG TYPE	DWG SOURCE	DWG DATE	UNIT	SCL	ANGLE	PART NO.	7283-1684
A	±0.15	±0.2	±0.3	±0.5	±0.75	±30'	0.1	R	NEW	97.04.17	mm	1/1	3	CH. CODE	
B	±0.2	±0.3	±0.55	±0.95	±1.4	±30'	0.1	APPROVED	CHECKED	CHECKED	DESIGN	DRAWN	DWG NO.	7283-1684: R	SET DWG NO.
©	±0.3	±0.5	±0.8	±1.4	±2	±30'	0.15	久村 敏島		T.OZAWA	NAKAJIMA	YAZAKI CORPORATION			
SPECIFIED							MASS	97.04.25		97.04.23	97.04.23	97.04.04	97.04.17		