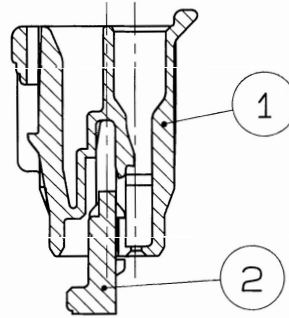
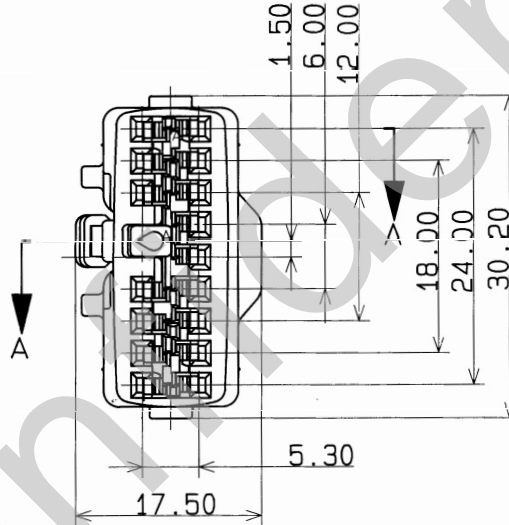
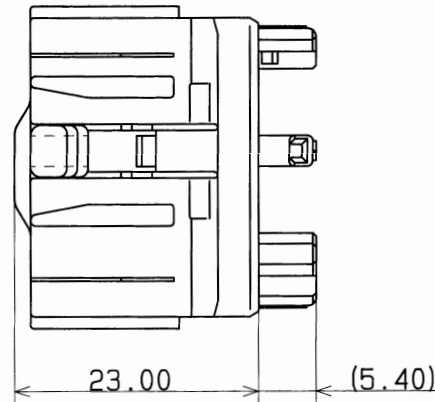


SUB ASS'Y PART NO.	NO.	YAZAKI PART NO.	MATERIAL	COLOR	QTY.
7283-1465 ETC.	①	SEE TABLE	PBT	SEE TABLE	1
	②	7157-4573	PBT	NATURAL	1



SEC. A-A

YAZAKI SUB ASS'Y NO.	YAZAKI HOUSING PART NO.	COLOR
7283-1465	7183-1465	NATURAL
7283-1465-10	7183-1465-10	DARK GRAY
7283-1465-30	7183-1465-30	BLACK
7283-1465-40	7183-1465-40	LIGHT GRAY
7283-1465-50	7183-1465-50	ORANGE
7283-1465-60	7183-1465-60	GREEN
7283-1465-80	7183-1465-80	BROWN
7283-1465-90	7183-1465-90	BLUE



注記

- 1) 通用端子品番: 7116-4060-02
- 2) 嵌合相手品番: 7282-1465 ETC.

NOTES

- 1) APPLICABLE TERMINAL NO.: 7116-4060-02
- 2) MATING PART NO.: 7282-1465 ETC.

ISSUE MARK

92.07.30		NEW		C92-L653	Y.G	CUSTOMER		MATERIAL SPEC.		TREAT. & FIN.				
LET	DATE	REVISION RECORD		NO.	CHKD	CUSTOMER PART NO.		CUSTOMER DWG NO.		NAME				
						OFFICE		TRIAL PART NO.		050 16P SEALED CONNECTOR				
GENERAL TOLERANCE						VENDOR NO.						HOUSING FEMALE SUB ASS'Y		
	10MAX	50MAX	100MAX	250MAX	2500VR	ANGLE	ECCENT	DWG TYPE	DWG SOURCE	DWG DATE	UNIT	SCL	ANGLE	PART NO.
A	±0.15	±0.2	±0.3	±0.5	±0.75	±30'	0.1	R	NEW	92.07.30	mm	2/1	3	7283-1465 ETC.
B	±0.2	±0.3	±0.55	±0.95	±1.4	±30'	0.1	APPROVED	CHECKED	CHECKED	DESIGN	DRAWN	DWG NO.	7283-1465: R
©	±0.3	±0.5	±0.8	±1.4	±2	±30'	0.15	KODAMA		ISHIZUKA		YAZAKI CORPORATION		
SPECIFIED						MASS		92.08.07		92.07.30				