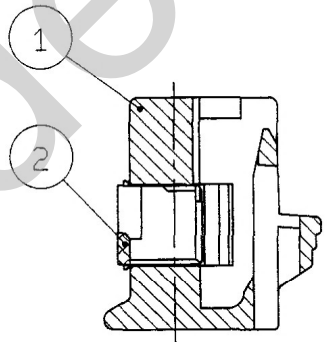


SEC. B-B



SEC. A-A

TABLE 1		SUB ASSEMBLY PART NO. AND CH. CODE	NO.	PART NO. AND CH. CODE	MATERIAL	COLOR	△ QTY.
		7283-1118 ETC.	①	SEE TABLE 2	△ PBT	SEE TABLE 2	1
			②	7157-4083	△ PBT	NATURAL	1

△ TABLE 2		SUB ASSEMBLY PART NO. AND CH. CODE	PART NO. AND CH. CODE	COLOR
		7283-1118, □	7183-1118	NATURAL
		7283-1118-30, □	7183-1118-30	BLACK
		7283-1118-40, □	7183-1118-40	LIGHT GRAY
		7283-1118-50, □	7183-1118-50	ORANGE
		7283-1118-90, □	7183-1118-90	BLUE

注記  
 1. 嵌合相手品番: 7282-1118 ETC.  
 2. 適用端子品番: 090II 7116-4020 ETC.  
 187 7116-4030 ETC.

NOTES  
 1. MATING PART NO. : 7282-1118 ETC.  
 2. APPLICABLE TERMINAL NO. :  
 090II 7116-4020 ETC.  
 187 7116-4030 ETC.

△	99.03.05	ELIMINATED COLOR NO. & CHANGED MATERIAL. □	C99-L420	T. M	CUSTOMER		MATL. SPEC.	SEE TABLE 1	TREAT. & FIN.						
△	96.07.01	CHANGED MATERIAL & ADDED PART NO. □	C96-M110	A. Y	CUSTOMER PART NO.		CUSTOMER DWG NO.								
	90.11.10	NEW	C90-M211	M. H	OFFICE		NAME 090II 4P+187 7P HYBRID								
LET	DATE	REVISION RECORD	NO.	CHKD	VENDOR		TRIAL PART NO.								
GENERAL TOLERANCE					VENDOR NO.		CONNECTOR SUB ASSEMBLY FEMALE								
	10MAX	50MAX	100MAX	250MAX	250OVR	ANGLE	ECCENT	DWG TYPE	DWG SOURCE	DWG DATE	UNIT	SCL	ANGLE	PART NO.	7283-1118 ETC.
A	±0.15	±0.2	±0.3	±0.5	±0.75	±30'	0.1	R	NEW	90.11.10	mm	2/1	3	CH. CODE	
B	±0.2	±0.3	±0.55	±0.95	±1.4	±30'	0.1	APPROVED	CHECKED	CHECKED	DESIGN	DRAWN	DWG NO.	7283-1118:R	SET DWG NO.
©	±0.3	±0.5	±0.8	±1.4	±2	±30'	0.15	加藤	山梨	藤	Y. OHTA	KANAZAWA	YAZAKI CORPORATION		
SPECIFIED				MASS	g	199.03.22	99.03.18	99.03.16	89.08.18	99.03.05					