

1

2

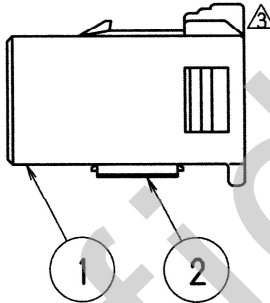
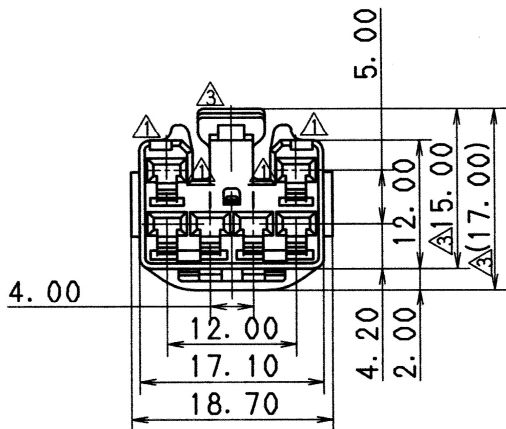
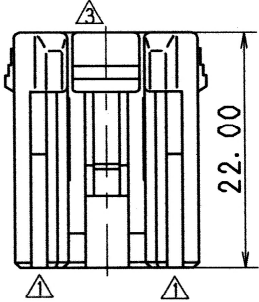
3

TABLE 1

YAZAKI SUB ASSEMBLY PART NO.	NO.	YAZAKI PART NO.	MATERIAL	COLOR	QTY.
7283-1060 ETC.	①	SEE TABLE 2	△ HPA	SEE TABLE 2	1
	②	7157-4021 (7B57-4021) △	△ HPA	△ NATURAL	1

TABLE 2

YAZAKI SUB ASSEMBLY PART NO.	YAZAKI PART NO.	COLOR
7283-1060. △ (7C83-1060. △) △	7183-1060 (7B83-1060) △	NATURAL
7283-1060-10. △	7183-1060-10	DARK GRAY
7283-1060-30. △ (7C83-1060-30. △) △	7183-1060-30 (7B83-1060-30) △	BLACK
7283-1060-40. △	7183-1060-40	LIGHT GRAY
7283-1060-50. △	7183-1060-50	ORANGE
7283-1060-60. △	7183-1060-60	GREEN
7283-1060-70. △	7183-1060-70	YELLOW
7283-1060-80. △	7183-1060-80	BROWN
7283-1060-90. △	7183-1060-90	BLUE



注記

- 1. 嵌合相手品番: 7282-1060 ETC.
- 2. 適用端子品番: 7116-4020 ETC.
- △ 3. () 内品番は、A/B回路及び、特別管理回路に使用する時に適用すること。

NOTES

- 1. MATING PART NO. : 7282-1060 ETC.
- 2. APPLICABLE TERMINAL NO. : 7116-4020 ETC.
- △ 3. () PART NO. IS USED FOR PARTS ASSOCIATED WITH A/B CIRCUITS OR OTHER SPECIFIED CIRCUIT.

△	04.09.10	ADDED A/B PART NO., ETC	C04-ZB61	T. H									
△	96.12.25	ADDED PART NO.	C96-N214	M. K									
△	96.10.28	ADDED A/B PART NO.	C96-M779	H. K									
△	95.03.20	CHANGED MATERIAL. △	C95-L362	M. K									
△	93.10.30	CHANGED MATERIAL	C93-P175	C. M									
△	93.07.14	CHANGED FORM	C93-L729	H. F									
△	90.11.10	CHANGED SPACER COLOR	C90-M208	M. H									
△	90.04.04	CHANGED FORM & RENEW	C90-L365	K. O									
△	88.12.24	NEW	C89-L006	K. J									
LET	DATE	REVISION RECORD	NO.	CHKD									
GENERAL TOLERANCE													
	10MAX	50MAX	100MAX	250MAX	250QVR	ANGLE	ECCENT	DWG TYPE	DWG SOURCE	DWG DATE	UNIT	SCL	ANGLE
A	±0.15	±0.2	±0.3	±0.5	±0.75	±30'	0.1	R	NEW	89.01.13	mm	32/1	3
B	±0.2	±0.3	±0.55	±0.95	±1.4	±30'	0.1	APPROVED	CHECKED	CHECKED	DESIGN	DRAWN	
◎	±0.3	±0.5	±0.8	±1.4	±2	±30'	0.15				Y. OHTA	E. PANTONI	
SPECIFIED					MASS								
					g								

CUSTOMER		MATL. SPEC.	SEE TABLE 1	TREAT. & FIN.
CUSTOMER PART NO.	CUSTOMER DWG NO.	NAME △ 2. 3 II (090 II) 6P CONNECTOR		
OFFICE	TRIAL PART NO.	SUB ASSEMBLY FEMALE		
VENDOR	VENDOR NO.	PART NO. 7283-1060 ETC. (7C83-1060 ETC.) △		
DWG NO.		CH. CODE		
DWG NO.		7283-1060:R		SET DWG NO.
YAZAKI CORPORATION				

1

2

3



93-001