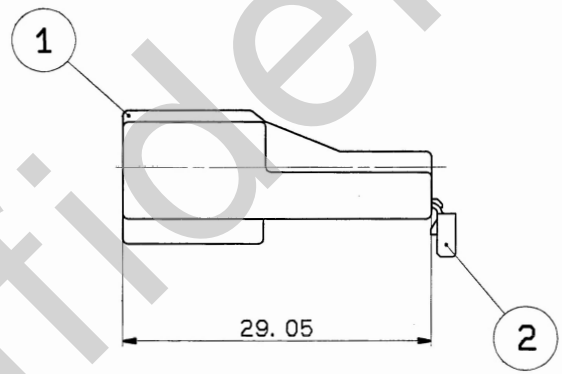
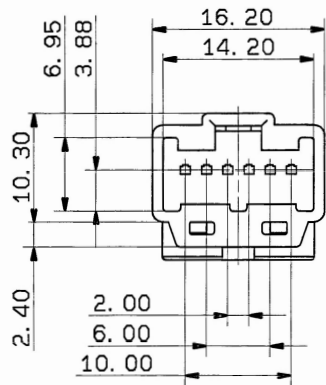
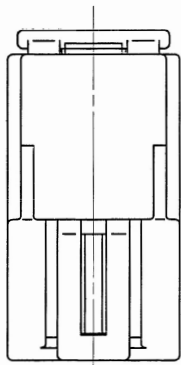


1

2

3

SUB ASS'Y PART NO.	NO.	PART NO.	PART NAME	MATERIAL (COLOR)	△ QTY.
7282-8663	①	7182-8663	A TYPE CONNECTOR HOUSING 6P (M)	PBT(NATURAL)	1
	②	△ 7157-6775	A TYPE CONNECTOR REAR HOLDER 6P	△ PBT(NATURAL)	1



注記

- 1. 嵌合相手品番は、7283-8660.
- △ 2. 適用ターミナル品番は、7114-1670-02, 7114-1670-08, 7114-1800-02.

NOTES

- 1. MATING PART NO. :7283-8660.
- △ 2. APPLICABLE TERMINAL NO. :7114-1670-02, :7114-1670-08, :7114-1800-02.

ISSUE MARK

△ 94. 11. 18		CH. REAR HOLDER COLOR		C94-M537	O. S	CUSTOMER		MATT. SPEC.		SEE TABLE		TREAT. & FIN.			
- 93. 06. 23		NEW		C93-6759	N. S	CUSTOMER PART NO.		CUSTOMER DWG NO.		NAME		A TYPE CONNECTOR 6P (M)			
LET	DATE	REVISION RECORD		NO.	CHKD	VENDOR		TRIAL PART NO.		SUB ASS'Y					
GENERAL TOLERANCE						VENDOR NO.						PART NO. 7282-8663			
A	±0.15	±0.2	±0.3	±0.5	±0.75	±30'	0.1	DWG TYPE R	DWG SOURCE NEW	DWG DATE 93.06.23	UNIT mm	SCL 2/1	ANGLE 3	CH. CODE	
B	±0.2	±0.3	±0.55	±0.95	±1.4	±30'	0.1	APPROVED	CHECKED	DESIGN	DRAWN	DWG NO. 7282-8663:R			
©	±0.3	±0.5	±0.8	±1.4	±2	±30'	0.15	H 木		△ 迂	SUGIYAMA	ITO H		YAZAKI CORPORATION	
SPECIFIED						MASS		g		194.11.25		94.11.24		93.06.23 94.11.18	

1

2

3