

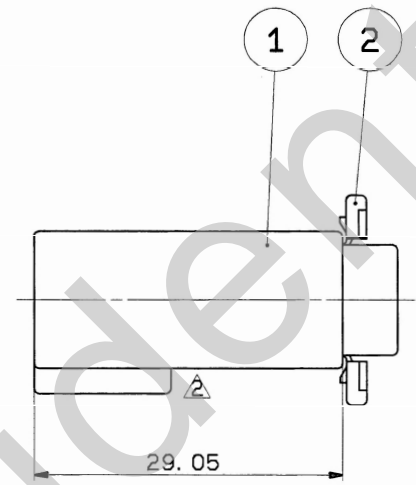
SUB ASS'Y PART NO.	NO.	PART NO.	PART NAME	MATERIAL (COLOR)	QTY.
7282-8648.	①	7182-8648.	A TYPE CONNECTOR HOUSING 24P (M)	PBT (NATURAL)	1
	②	7157-6773.	A TYPE CONNECTOR REAR HOLDER 24P (M)	PBT (NATURAL)	1

注 記

1. 嵌合相手は、7283-8648.
2. 使用ターミナルは、7114-1670-02, 7114-1670-08, 7114-1800-02.

NOTES

1. MATING PART NO. : 7283-8648.
2. APPLICABLE TERMINAL. : 7114-1670-02, 7114-1670-08, 7114-1800-02.



	94. 11. 18	CH. REAR HOLDER COLOR	C94-M537	O. S				
	94. 06. 09	CHANGED FORM & CHANGED NOTE.	C94-L710	O. S				
	91. 02. 06	CHANGED FORM	C91-6259	H. Y				
	90. 09. 17	NEW	C90-6981	H. Y				
LET	DATE	REVISION RECORD	NO.	CHKD				
GENERAL TOLERANCE								
	10MAX	50MAX	100MAX	250MAX	2500VR	ANGLE	ECCENT	
A	±0.15	±0.2	±0.3	±0.5	±0.75	±30'	0.1	
B	±0.2	±0.3	±0.55	±0.95	±1.4	±30'	0.1	
©	±0.3	±0.5	±0.8	±1.4	±2	±30'	0.15	
SPECIFIED					MASS			

CUSTOMER		MATL. SPEC.		TREAT. & FIN.	
CUSTOMER PART NO.		SEE TABLE			
CUSTOMER DWG NO.		NAME		A TYPE CONNECTOR 24P (M)	
OFFICE		TRIAL PART NO.		SUB ASS'Y	
VENDOR		VENDOR NO.		PART NO. 7282-8648.	
DWG TYPE		DWG SOURCE		CH. CODE	
R		NEW		7282-8648:R	
DWG DATE		UNIT		DWG NO.	
90. 09. 17		mm		7282-8648:R	
SCL		ANGLE		APPROVED	
2/1		3		CHECKED	
DESIGN		DRAWN		CHECKED	
H. SAITOH		SATOH		DESIGN	
94. 11. 24		94. 11. 18		DRAWN	
94. 11. 25		94. 11. 24		DESIGN	
94. 11. 25		94. 11. 24		DRAWN	

ISSUE MARK	
NAME	
A TYPE CONNECTOR 24P (M)	
SUB ASS'Y	
PART NO. 7282-8648.	
CH. CODE	
7282-8648:R	
DWG NO.	
7282-8648:R	
YAZAKI CORPORATION	