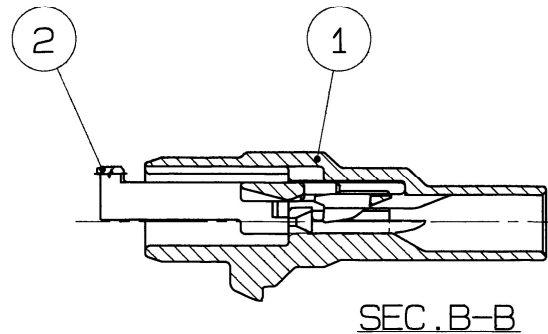
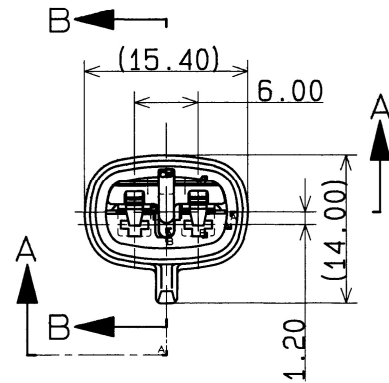


1

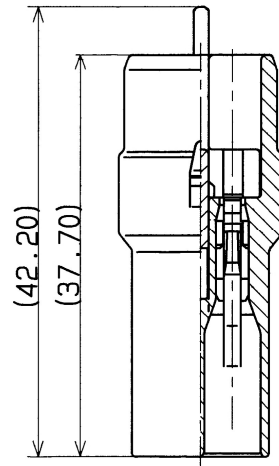
2

3

SUB ASS'Y PART NO.	NO.	PART NO.	MATERIAL	COLOR
7282-8228-10 ETC.	①	SEE TABLE	PBT	SEE TABLE
	②	7157-4431	PBT	NATURAL



SUB ASS'Y PART NO.	HOUSING PART NO.	COLOR
7282-8228-10	7182-8228-10	DARK GRAY
7282-8228-30	7182-8228-30	BLACK
7282-8228-40	7182-8228-40	LIGHT GRAY



SEC. A-A

注記

1. 嵌合相手品番 : 7283-8228-10 ETC.
 2. 適用端子品番 : 7114-4025 ETC.

NOTES

1. MATING PART NO. : 7283-8228-10 ETC.
 2. APPLICABLE TERMINAL NO.: 7114-4025 ETC.

ISSUE MARK

										CUSTOMER				MATL. SPEC.		TREAT. & FIN.							
										CUSTOMER PART NO.		CUSTOMER DWG NO.				NAME							
										OFFICE		TRIAL PART NO.				090II 2P SEALED CONNECTOR							
										VENDOR						HOUSING MALE SUB ASS'Y							
										VENDOR NO.						PART NO.							
										DWG TYPE		DWG SOURCE		DWG DATE		UNIT		SCL		ANGLE			
										R		NEW		93.03.17		mm		2/1		3			
										APPROVED		CHECKED		CHECKED		DESIGN		DRAWN		DWG NO.			
										S.KODAMA		ISHIZUKA		90.03.29		93.03.17		7282-8228-10 ETC.					
										S.KODAMA		ISHIZUKA		90.03.29		93.03.17		7282-8228-10: R					
										S.KODAMA		ISHIZUKA		90.03.29		93.03.17		YAZAKI CORPORATION					
93.03.17	NEW	C93-L321	H.F	OFFICE	TRIAL PART NO.	NAME		090II 2P SEALED CONNECTOR		PART NO.		7282-8228-10 ETC.		DWG NO.		7282-8228-10: R		YAZAKI CORPORATION					
LET	DATE	REVISION RECORD	NO.	CHKD	VENDOR	VENDOR NO.		DWG TYPE		DWG SOURCE		DWG DATE		UNIT		SCL		ANGLE					
GENERAL TOLERANCE										DWG TYPE		DWG SOURCE		DWG DATE		UNIT		SCL		ANGLE			
	10MAX	50MAX	100MAX	250MAX	2500VR	ANGLE	ECCENT	DWG TYPE		DWG SOURCE		DWG DATE		UNIT		SCL		ANGLE					
A	±0.15	±0.2	±0.3	±0.5	±0.75	±30'	0.1	R		NEW		93.03.17		mm		2/1		3					
B	±0.2	±0.3	±0.55	±0.95	±1.4	±30'	0.1	APPROVED		CHECKED		CHECKED		DESIGN		DRAWN		DWG NO.					
©	±0.3	±0.5	±0.8	±1.4	±2	±30'	0.15	S.KODAMA		ISHIZUKA		90.03.29		93.03.17		7282-8228-10 ETC.		7282-8228-10: R					
SPECIFIED										MASS		g		S.KODAMA		ISHIZUKA		90.03.29		93.03.17		YAZAKI CORPORATION	

1

2

3