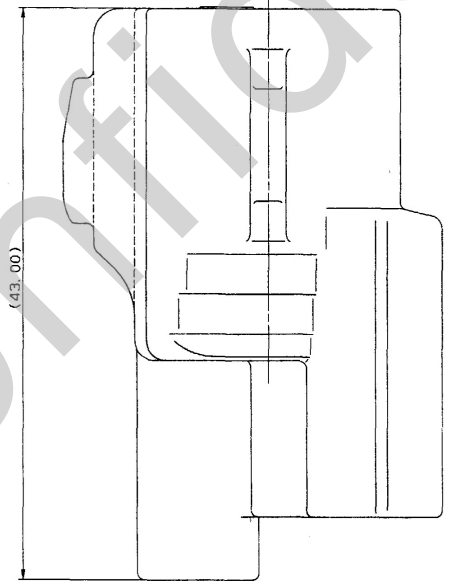
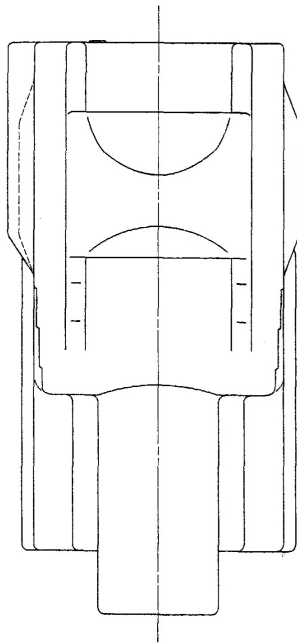
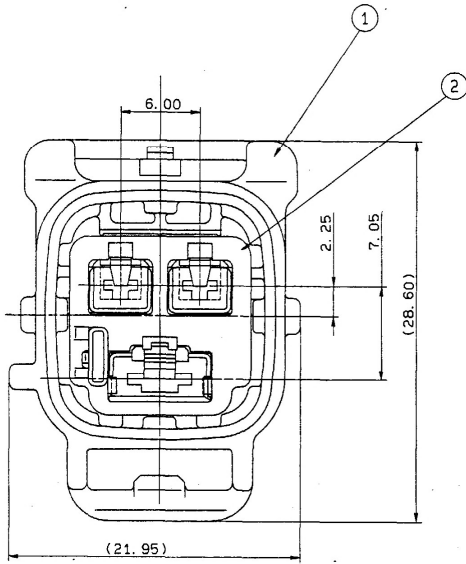


YAZAKI SUB ASS'Y NO.	NO.	YAZAKI PART NO.	YAZAKI PART NAME	MATERIAL	COLOR
7282-7032-30	①	7182-7032-30	187 1P+090 II 2P SEALED CONNECTOR HOUSING MALE	PBT	BLACK
	②	7157-4126	187 1P+090 II 2P SEALED CONNECTOR SPACER MALE	PBT	NATURAL



NOTES

- APPLICABLE TERMINAL NO. : 187 7114-4035 (AVS 0.3 ~ AVS 0.5)
7114-4036 (AVS 0.5 ~ AVS 1.25)
7114-4037 (AVSS 2 ~ AVSS 3)
: 090 II 7114-4025 (AVS 0.3 ~ AVS 0.5)
7114-4026 (AVS 0.5 ~ AVS 1.25)
7114-4027 (AVSS 2)
- APPLICABLE RUBBER STOPPER NO. : 187 7157-3850
: 7157-3852
: 090 II 7157-3648
- MATING PART NO. : 7283-7032-30

注記

- 適用端子品番 : 187 7114-4035 (AVS 0.3 ~ AVS 0.5)
7114-4036 (AVS 0.5 ~ AVS 1.25)
7114-4037 (AVSS 2 ~ AVSS 3)
: 090 II 7114-4025 (AVS 0.3 ~ AVS 0.5)
7114-4026 (AVS 0.5 ~ AVS 1.25)
7114-4027 (AVSS 2)
- 適用ゴム止り品番 : 187 7157-3850
: 7157-3852
: 090 II 7157-3648
- 適合相手品番 : 7283-7032-30

DATE	REVISION RECORD	NO.	CHKD
90.04.20	NEW	C90-L416	K.O

GENERAL TOLERANCE									
10MAX	50MAX	100MAX	250MAX	250OVRI	ANGLE	ECCENT	DWG TYPE	DWG SOURCE	DWG DATE
A ±0.15	±0.2	±0.3	±0.5	±0.75	±30'	0.1	R	NEW	90.04.20
B ±0.2	±0.3	±0.55	±0.95	±1.4	±30'	0.1	APPROVED	CHECKED	DESIGN
C ±0.3	±0.5	±0.8	±1.4	±2	±30'	0.15			DRAWN

CUSTOMER	CUSTOMER PART NO.	CUSTOMER DWG NO.	MATL. SPEC.	SEE TABLE	TREAT. & FIN.
OFFICE		STDLIB NO.	NAME	187.1P + 090 II 2P SEALED	
VENDOR			CONNECTOR HOUSING MALE SUB ASS'Y		
PART NO.			7282-7032-30		
DWG NO.			7282-7032-30:R		
TRIAL PART NO.					
YAZAKI CORPORATION					

ISSUE MARK