

TABLE 1

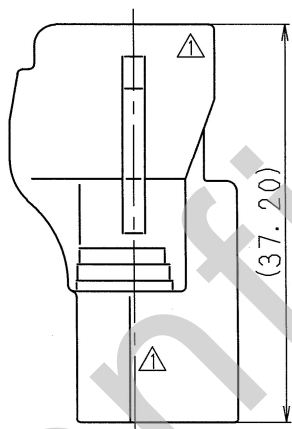
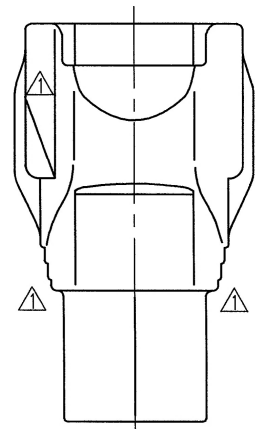
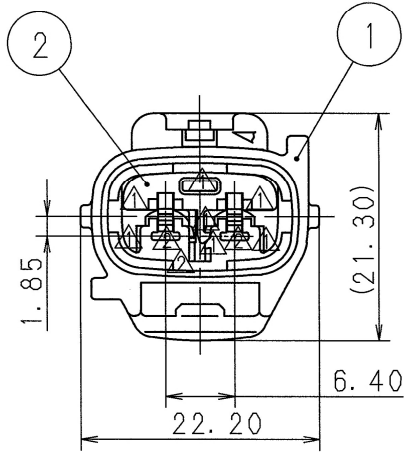
SUB ASSEMBLY PART NO. AND CH. CODE	NO.	PART NO. AND CH. CODE	MATERIAL	COLOR	QTY.
7282-7021-10 ETC.	①	SEE TABLE 2	PBT	SEE TABLE 2	1
	②	7157-4102	PBT	NATURAL	1

注記

- △ 1. 適用端子品番 : 2. 3Ⅱ(090Ⅱ) 7114-4025  
7114-4026  
7114-4027  
7114-4028-08  
7114-4029-08
- △ 2. 適用ゴム栓品番 : 7158-3006-90  
7158-3007-10  
7158-3008-80
- △ 3. 嵌合相手品番 : 7283-7021-10 ETC.

TABLE 2

SUB ASSEMBLY PART NO. AND CH. CODE	PART NO. AND CH. CODE	COLOR
7282-7021, △	7182-7021	NATURAL
7282-7021-10, △	7182-7021-10	DARK GRAY
7282-7021-30, △	7182-7021-30	BLACK
7282-7021-40, △	7182-7021-40	LIGHT GRAY
7282-7021-50, △	7182-7021-50	ORANGE
7282-7021-60, △	7182-7021-60	GREEN
7282-7021-80, △	7182-7021-80	BROWN
7282-7021-90, △	7182-7021-90	BLUE



NOTES

- △ 1. APPLICABLE TERMINAL PART NO. :  
2. 3Ⅱ(090Ⅱ) 7114-4025  
7114-4026  
7114-4027  
7114-4028-08  
7114-4029-08
- △ 2. APPLICABLE RUBBER STOPPER NO. : 7158-3006-90  
7158-3007-10  
7158-3008-80
- △ 3. MATING PART NO. : 7283-7021-10 ETC.

ISSUE MARK

△ 03.03.04	CHANGED FORM, NOTES & ADDED PART NO., △	C03-X177	Y. S	CUSTOMER	MATL. SPEC. SEE TABLE 1	TREAT. & FIN.
△ 89.08.19	CHANGED FORM & RENEW	C89-L860	M. T	CUSTOMER PART NO.		
89.02.22	NEW	C89-L378	T. M	CUSTOMER DWG NO.		
LET	DATE	REVISION RECORD NO.	CHKD	OFFICE	TRIAL PART NO.	
				VENDOR		
GENERAL TOLERANCE				VENDOR NO.	NAME 2. 3Ⅱ(090Ⅱ) 2P SEALED CONNECTOR HOUSING MALE SUB ASSEMBLY	
	10MAX	50MAX	100MAX	250MAX	2500VR	ANGLE
A	±0.15	±0.2	±0.3	±0.5	±0.75	±30'
B	±0.2	±0.3	±0.55	±0.95	±1.4	±30'
③	±0.3	±0.5	±0.8	±1.4	±2	±30'
SPECIFIED				MASS	PART NO. CH. CODE △7282-7021-10 ETC.	
				g	DWG NO. 7282-7021-10:R SET DWG NO.	
				03.03.04	YAZAKI CORPORATION	

