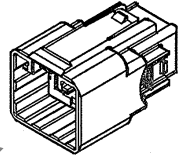
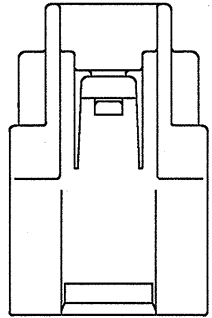
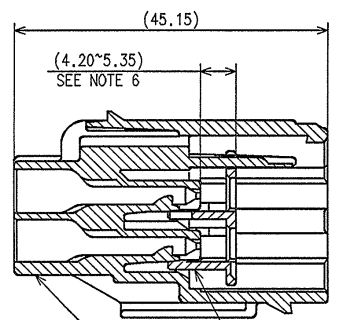
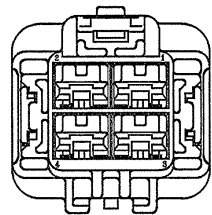


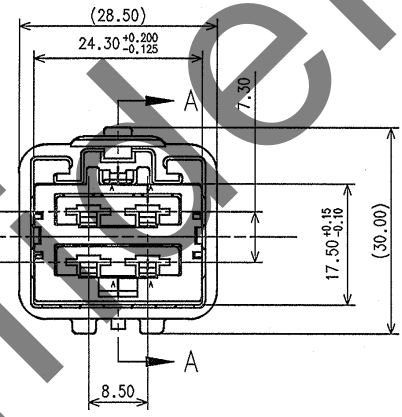
SUB ASSY PART NO.	NO.	PART NUMBER	PART NAME	MATERIAL	COLOR	QUANTITY
7282-6469-40	①	7182-6469-40	4P 6.3 YESC KAIZEN UNSEALED MALE HOUSING	PBT+GF	LT. GRAY	1
	②	7158-6199	4P 6.3 YESC KAIZEN UNSEALED MALE TPA	PBT	NATURAL	1



(1/1)



SECTION A-A



- NOTES:
- PARTS MUST BE PURCHASED FROM YAZAKI.
 - PARTS MUST BE FREE OF FLASH AND IMPERFECTIONS THAT AFFECT FUNCTION.
 - APPLICABLE TERMINAL NUMBER: SEE 7114-4120-02-R DRAWING: (6.3mm YESC)
 - MATING PART NUMBER: 7263-6469-40 OR EQUIVALENT.
 - PART DESIGNED TO SATISFY USCAR-2, REVISION 3, APRIL 2001, CLASS 2.
 - THIS DIMENSION SHOWS THE PRE-SET POSITION OF THE TPA.
 - THIS DRAWING IS TO BE USED FOR INTERNAL YAZAKI PSW SUBMISSION.

ISSUE MARK

CUSTOMER PART NO.		CUSTOMER DWG NO.		MATL. SPEC.	SEE TABLE	TREAT & FIN.
OFFICE YNA		STDLIB NO.		NAME		
VENDOR		VENDOR NO.		4P 6.3 YESC KAIZEN UNSEALED MALE SUB-ASSEMBLY		
DWG TYPE	DWG SOURCE	DWG DATE	UNIT	SCL	ANGLE	PART NO.
R	7282-6469-40:MA	04.28.06	MM	2/1	3	7282-6469-40
APPROVED	CHECKED	CHECKED	DESIGN	DRAWN		
			MICHAEL PERRY			
DATE		DATE		DATE		
07.25.06		07.24.06		09.13.02		
YAZAKI CORPORATION						

LET	DATE	REVISION RECORD	NO.	CHKD
-	04.28.06	NEW	C06-A572	J.M.S

GENERAL TOLERANCE									
1 TO 10	10 TO 30	30 TO 100	100 TO 250	250 TO 500	500 TO 1000	R5MAX	R10MAX	R20MAX	R200VR
±0.15	±0.2	±0.3	±0.5	±0.75	±1.0	±0.2	±0.3	±0.5	±2.5
A ±0.2	A ±0.3	A ±0.5	A ±0.75	A ±1.0	A ±1.5	±0.2	±0.3	±0.5	±2.5
±0.3	±0.5	±0.8	±1.4	±2	±3	±0.2	±0.3	±0.5	±2.5