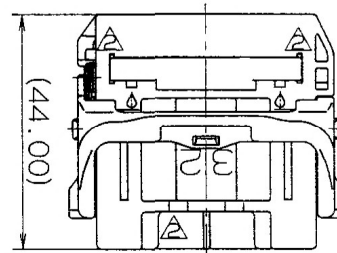


1

2

3

TABLE 1



SUB ASSEMBLY PART NO. & CH. CODE	NO.	PART NO. & CH. CODE	MATERIAL	COLOR	QTY.
7282-5667 ETC.	①	SEE TABLE 2	PBT	SEE TABLE 2	1
	②	7158-4067	PBT	NATURAL	1
	③	7157-9494-30	PBT	BLACK	1
	④	7157-9465	SUS		1

TABLE 2

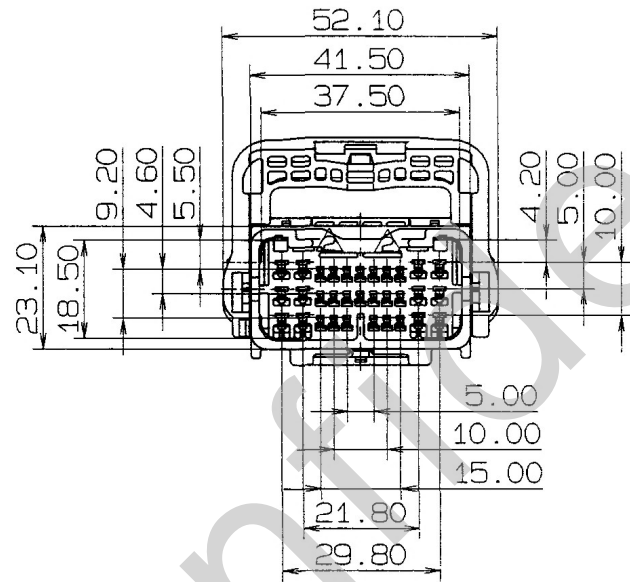
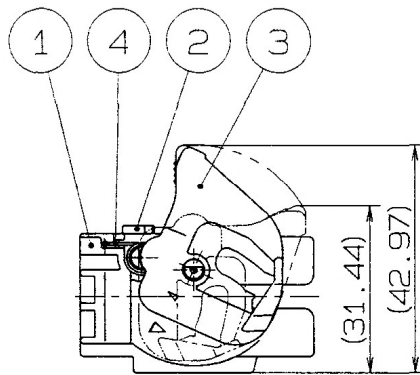
SUB ASSEMBLY PART NO. & CH. CODE	PART NO. & CH. CODE	COLOR
7282-5667	7182-5667	NATURAL
7282-5667-40	7182-5667-40	GRAY
7282-5667-90	7182-5667-90	BLUE

## 注記

- ① 嵌合相手品番 : 7283-5667 ETC.  
 ② 適用端子品番 : (040Ⅲ) 7114-4231-02  
 (090Ⅱ) 7114-4020 ETC.

## NOTES

- ① MATING PART NO.: 7283-5667 ETC.  
 ② APPLICABLE TERMINAL NO.:  
 (040Ⅲ) 7114-4231-02  
 (090Ⅱ) 7114-4020 ETC.



ISSUE MARK

△	98.05.13	CHANGED FORM	C98-L821	K.S	CUSTOMER	MATL. SPEC.	SEE TABLE 1	TREAT. & FIN.							
△	97.11.26	ADDED PART NO.	C97-M714	H.K	CUSTOMER PART NO.	CUSTOMER DWG NO.									
	97.01.06	NEW	C96-N150	T.O	OFFICE	TRIAL PART NO.									
LET	DATE	REVISION RECORD	NO.	CHKD	VENDOR										
GENERAL TOLERANCE					VENDOR NO.										
	10MAX	50MAX	100MAX	250MAX	2500V	ANGLE	ECCENT	DWG TYPE	DWG SOURCE	DWG DATE	UNIT	SCL	ANGLE	PART NO.	△ 7282-5667 ETC.
A	±0.15	±0.2	±0.3	±0.5	±0.75	±30'	0.1	R	NEW	97.01.06	mm	1/1	3	CH. CODE	
B	±0.2	±0.3	±0.55	±0.95	±1.4	±30'	0.1	APPROVED	CHECKED	CHECKED	DESIGN	DRAWN	DWG NO.	7282-5667: R	SET DWG NO.
◎	±0.3	±0.5	±0.8	±1.4	±2	±30'	0.15				T.OZAWA	K.SATO			
SPECIFIED					MASS	加藤 久野 繁 裕					YAZAKI CORPORATION				
					g	98.5.19	98.05.19	98.05.15	97.01.06	98.05.13					

1

2

3