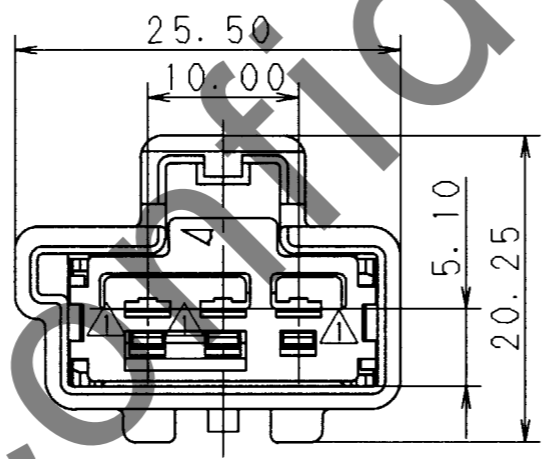
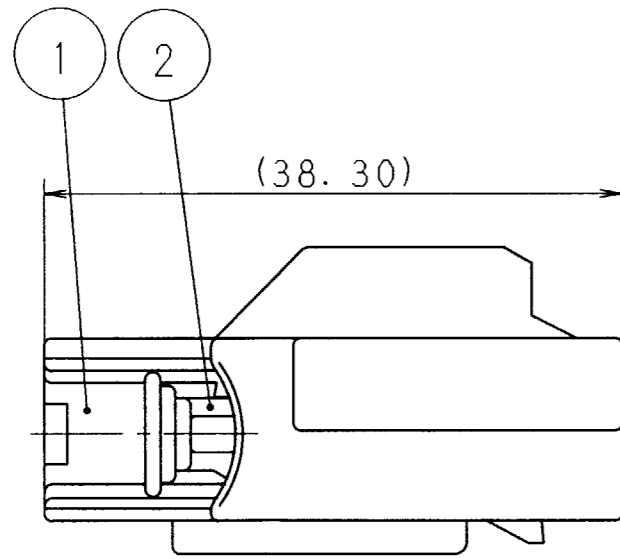
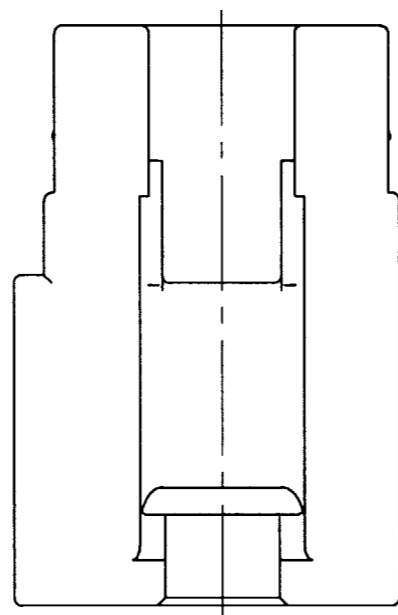


SUB ASS'Y NO. & C. C.	NO.	PART NO.	MATERIAL	COLOR	QTY.
7282-5563-40. $\square$	①	7182-5563-40	HPA	LIGHT GRAY	1
	②	$\triangle$ 7158-4187-50	HPA	$\triangle$ ORANGE	1

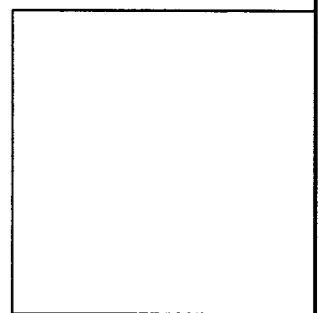


注記

- 1. 適用端子品番 : 7114-4110-02 ETC.
- 2. 嵌合相手品番 : 7283-5563-40

NOTES

- 1. APPLICABLE TERMINAL PART NO. : 7114-4110-02 ETC.
- 2. MATING PART NO. : 7283-5563-40



ISSUE MARK

										CUSTOMER				MATL. SPEC. SEE TABLE		TREAT. & FIN.		
										CUSTOMER PART NO.				CUSTOMER DWG NO.				
$\triangle$	97.04.08	CHANGED FORM ETC. $\square$	C97-L676	H. K											NAME 2.8 SYSTEM CONNECTOR			
	95.10.17	NEW	C95-M684	Y. Y											3P (M) SUB ASS'Y			
LET	DATE	REVISION RECORD	NO.	CHKD											PART NO. 7282-5563-40. $\square$			
GENERAL TOLERANCE															CH. CODE 7282-5563-40:R			
	10MAX	50MAX	100MAX	250MAX	250OVR	ANGLE	ECCENT	DWG TYPE	DWG SOURCE	DWG DATE	UNIT	SCL	ANGLE	DWG NO. 7282-5563-40:R				
A	$\pm 0.15$	$\pm 0.2$	$\pm 0.3$	$\pm 0.5$	$\pm 0.75$	$\pm 30'$	0.1	R	NEW	95.10.17	mm	2/1	3	SET DWG NO.				
B	$\pm 0.2$	$\pm 0.3$	$\pm 0.55$	$\pm 0.95$	$\pm 1.4$	$\pm 30'$	0.1	APPROVED	CHECKED	CHECKED	DESIGN	DRAWN		YAZAKI CORPORATION				
$\odot$	$\pm 0.3$	$\pm 0.5$	$\pm 0.8$	$\pm 1.4$	$\pm 2$	$\pm 30'$	0.15	遠藤	秋	花崎	HANAZAKI	KANBAYASHI						
SPECIFIED															97.04.16. 97.04.15 97.04.14 95.10.05 97.04.08			
															MASS 9			