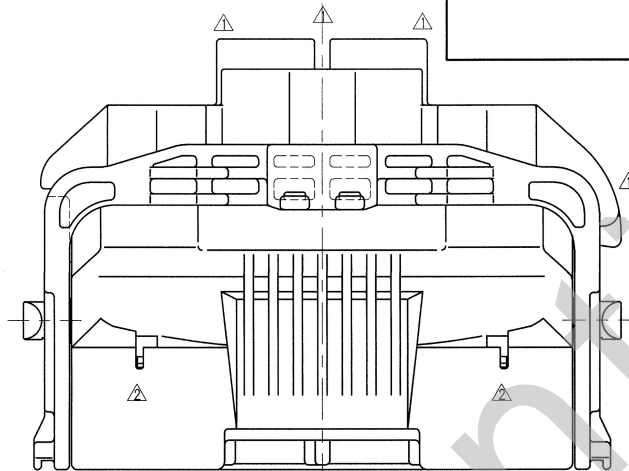


NOTES

1. MATING PART NO. : 7283-1074-40

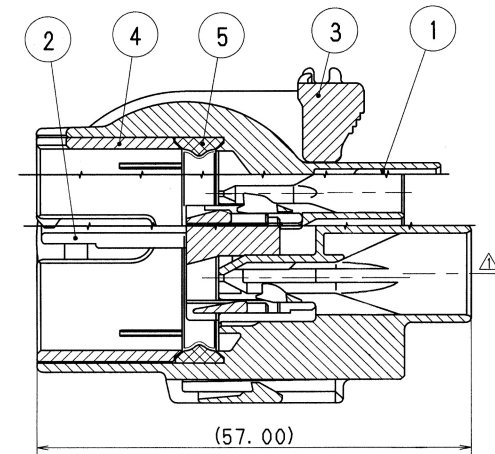
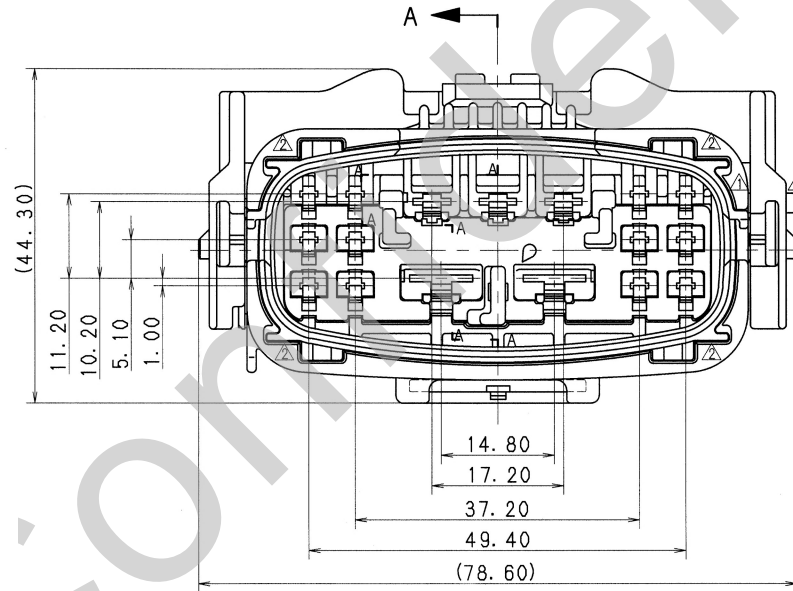
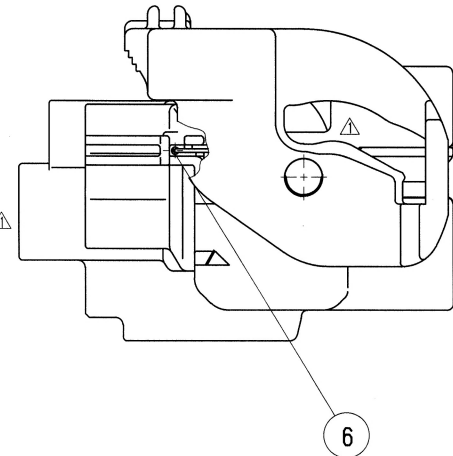
- △ 2. APPLICABLE TERMINAL NO. : 2, 3 (090II) 7114-4025 (AVSS 0.3~AVX 0.5)
 7114-4026 (AVSS 0.5~AVX 1.25)
 7114-4027 (AVSS 2)
 4. 8 (187) 7114-4035 (AVSS 0.3~AVX 0.5)
 7114-4036 (AVSS 0.5~AVX 1.25)
 7114-4037 (AVSS 2)
 8. 0 (312) 7114-6045 (AVSS 0.5~AVX 1.25)
 7114-6046 (AVSS 2~AVX 3)
 7114-6047 (AVSS 5~AV8)
3. APPLICABLE RUBBER STOPPER NO. : 090II 7158-3006-90 ETC.
 187 7158-3014-90 ETC.
 312 7158-3022-80 ETC.

SUB ASSEMBLY PART NO. AND CH. CODE	NO.	PART NO. AND CH. CODE	△ PART NAME	MATERIAL	COLOR	QTY.
△ 7282-1074-40. Ⅱ	①	7182-1074-40. Ⅱ	HOUSING	PBT	LIGHT GRAY	1
	②	7157-6502	SPACER	PBT	NATURAL	1
	③	7157-9468	LEVER	PBT	NATURAL	1
	④	7157-4254-40	PACKING HOLDER	PBT	LIGHT GRAY	1
	⑤	7137-2628	PACKING	NBR	BLACK	1
	⑥	7157-9465	LEVER SPRING	STAINLESS STEEL	—	1



注 記

1. 嵌合相手品番 : 7283-1074-40
 △ 2. 通用端子品番 : 2, 3Ⅱ (090II) 7114-4025 (AVSS 0.3 ~ AVX 0.5)
 7114-4026 (AVSS 0.5 ~ AVX 1.25)
 7114-4027 (AVSS 2)
 4. 8 (187) 7114-4035 (AVSS 0.3 ~ AVX 0.5)
 7114-4036 (AVSS 0.5 ~ AVX 1.25)
 7114-4037 (AVSS 2 ~ AVX 3)
 8. 0 (312) 7114-6045 (AVS 0.5 ~ AVX 1.25)
 7114-6046 (AVSS 2 ~ AVX 3)
 7114-6047 (AVS 5 ~ AV 8)
3. 通用ゴム栓品番 : 090II 7158-3006-90 ETC.
 187 7158-3014-90 ETC.
 312 7158-3022-80 ETC.



SEC. A-A

ISSUE MARK

CUSTOMER		MATERIAL SPEC.		TREAT. & FIN.	
CUSTOMER PART NO.		SEE TABLE			
OFFICE		TRIAL PART NO.		NAME 8. 0 (312) 2P+4. 8 (187) 3P+2. 3Ⅱ (090II) 12P LIF	
VENDOR				△ SEALED CONNECTOR HOUSING MALE SUB ASSEMBLY	
VENDOR NO.				PART NO. △ 7282-1074-40. Ⅱ	
DWG TYPE R		DWG SOURCE NEW		CH. CODE △	
APPROVED		CHECKED		DESIGN DRAWN	
③ ±0.3		鳥居		A. SHINCHI S. SANTOS	
SPECIFIED		07/06/29		07/06/29	
MASS g		07/06/29		92/09/16 07/06/29	
				DWG NO. 7282-1074-40:R SET DWG NO.	
YAZAKI CORPORATION					

GENERAL TOLERANCE

	10MAX	50MAX	100MAX	250MAX	250OVR	ANGLE	ECCENT
A	±0.15	±0.2	±0.3	±0.5	±0.75	±30'	0.1
B	±0.2	±0.3	±0.55	±0.95	±1.4	±30'	0.1
③	±0.3	±0.5	±0.8	±1.4	±2	±30'	0.15

LET	DATE	REVISION RECORD	NO.	CHKD
△	07/06/29	CHANGED FORM, ETC. Ⅱ	C07-Z592	C. T
△	98/03/16	CHANGED FORM. Ⅱ	C98-L439	N. T
	93/08/07	NEW	C93-L849	H. F