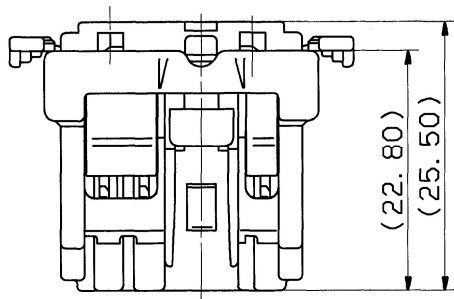


1

2

3

SUB ASS'Y PART NO.	NO.	PART NAME	PART NUMBER	MATERIAL	QTY.
7223-6714	①	NS TYPE 8P HOUSING FEMALE	7123-6714	PBT(NATURAL)	1
	②	NS TYPE 8P REAR HOLDER FEMALE	7157-6135-30	PP(BLACK)	1



## 注記

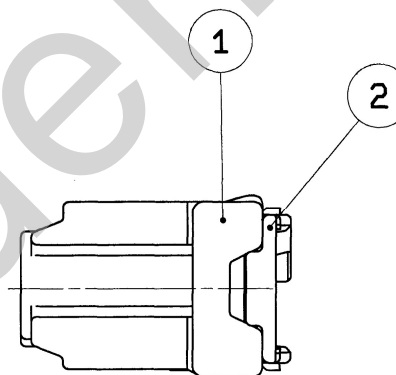
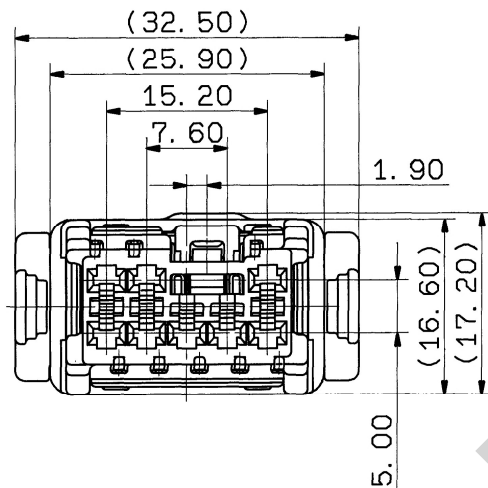
1. 相手嵌合品番: 7222-6714.

⚠ 2. 適用端子品番: 7116-1820-02 ETC.

## NOTES

1. MATING PART NO. : 7222-6714.

⚠ 2. APPLICABLE TERMINAL NO. : 7116-1820-02 ETC.



ISSUE MARK

				CUSTOMER				MATT. SPEC.				TREAT. & FIN.		
				CUSTOMER PART NO.				CUSTOMER DWG NO.				SEE TABLE		
⚠	95.04.05	CHANGED NOTES	C95-L700	M. K					NAME				NS TYPE 8P	
	92.07.01	NEW	C92-6638	M. K	OFFICE				TRIAL PART NO.					
LET	DATE	REVISION RECORD	NO.	CHKD	VENDOR				SUB ASS'Y FEMALE					
GENERAL TOLERANCE				VENDOR NO.										
	10MAX	50MAX	100MAX	250MAX	2500VR	ANGLE	ECCENT	DWG TYPE	DWG SOURCE	DWG DATE	UNIT	SCL	ANGLE	PART NO.
A	±0.15	±0.2	±0.3	±0.5	±0.75	±30'	0.1	R	NEW	92.07.01	mm	2/1	3	7223-6714
B	±0.2	±0.3	±0.55	±0.95	±1.4	±30'	0.1	APPROVED	CHECKED	CHECKED	DESIGN	DRAWN		CH. CODE
©	±0.3	±0.5	±0.8	±1.4	±2	±30'	0.15				M. TSUJI	NAKAJIMA		DWG NO.
SPECIFIED				MASS				YAZAKI CORPORATION						
				1 g				8木						
				95.4.11				辻						
								95.04.11						
								92.03.31						
								95.04.05						

1

2

3