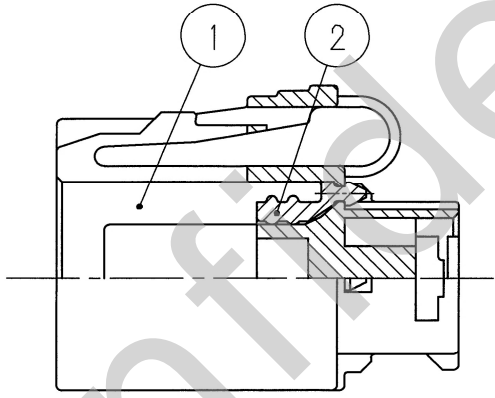
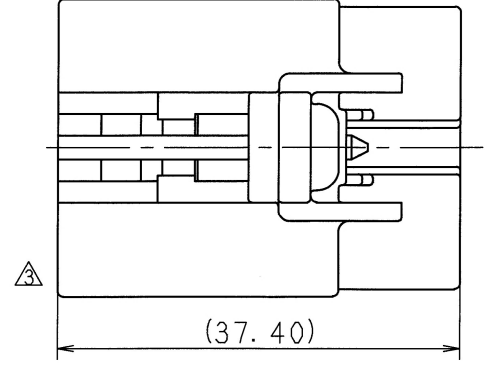
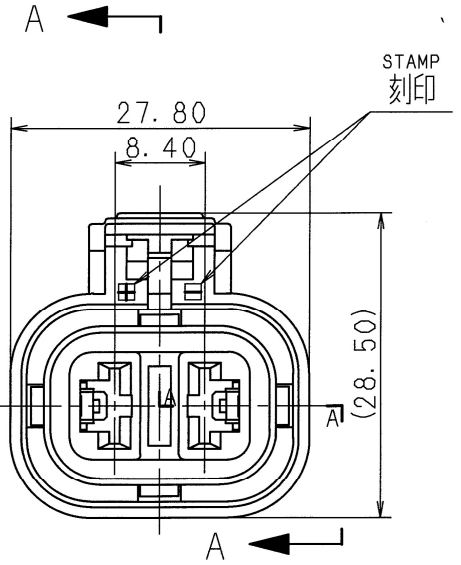


SUB ASSEMBLY PART NO. AND CH. CODE	NO.	PART NO. AND CH. CODE	MATERIAL	COLOR	QTY.
△7223-6428-40, ▢	①	7123-6428-40	PBT	LIGHT GRAY	1
	②	△7137-2424-80	SILICONE RUBBER	BROWN	1
△ 7223-6428-80	①	7123-6428-80	PBT	BROWN	1
	②	7137-2422-60	NBR	GREEN	1



SEC. A-A



注記

- 1. 適用端子品番: 7116-2873 ETC.
- △ 2. 適用リヤホルダ品番: 7157-6620, 7157-6621, 7157-6622
- 3. 嵌合相手品番: 7122-6224-40

NOTES

- 1. APPLICABLE TERMINAL NO. : 7116-2873 ETC.
- △ 2. APPLICABLE REAR HOLDER NO. : 7157-6620, 7157-6621, 7157-6622
- 3. MATING PART NO. : 7122-6224-40

△	01.06.11	ELIMINATE REAR HOLDER COLOR NO.	C01-X577	H. Y										
△	99.04.23	ADDED REAR HOLDER NO.	C99-L600	O. S										
△	96.06.21	ADDED PART NO.	C96-M209	A. Y										
△	95.03.09	CHANGED PACKING NO.	C95-L410	H. K										
△	94.06.29	CHANGED PART NO., ▢	C94-L917	M. K										
△	91.08.20	NEW	C91-7187	A. N										
LET	DATE	REVISION RECORD	NO.	CHKD										
GENERAL TOLERANCE														
	10MAX	50MAX	100MAX	250MAX	2500VR	ANGLE	ECCENT	DWG TYPE	DWG SOURCE	DWG DATE	UNIT	SCL	ANGLE	PART NO. CH. CODE
A	±0.15	±0.2	±0.3	±0.5	±0.75	±30'	0.1	R	NEW	91.07.19	mm	2/1	3	△ 7223-6428-40 ETC.
B	±0.2	±0.3	±0.55	±0.95	±1.4	±30'	0.1	APPROVED	CHECKED	CHECKED	DESIGN	DRAWN	DWG NO.	7223-6428-40:R
©	±0.3	±0.5	±0.8	±1.4	±2	±30'	0.15				T. NAGANO	S. UEBO	SET DWG NO.	
SPECIFIED					MASS	g	YAZAKI CORPORATION							

CUSTOMER	CUSTOMER PART NO.	CUSTOMER DWG NO.
OFFICE	TRIAL PART NO.	
VENDOR		
VENDOR NO.		
DATE	01.06.25	
DESIGNER	吉野	
DRAWN	浦野	
DATE	89.12.20	01.06.11

MATL. SPEC.	SEE TABLE	TREAT. & FIN.
NAME	X TYPE CONNECTOR	
	SUB-ASSEMBLY (X02FW-GY, BR)	
PART NO. CH. CODE	△ 7223-6428-40 ETC.	
DWG NO.	7223-6428-40:R	SET DWG NO.
YAZAKI CORPORATION		