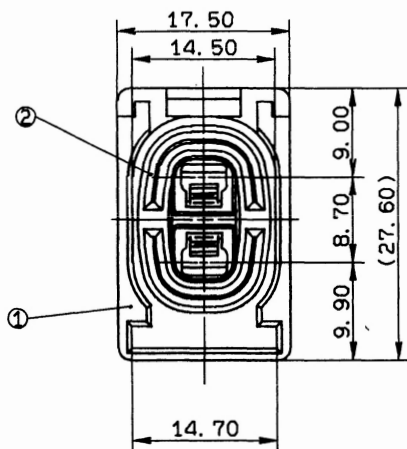
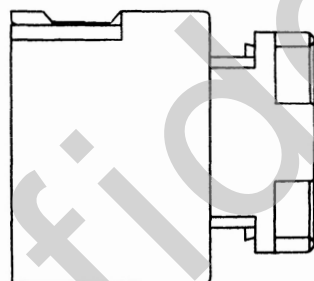
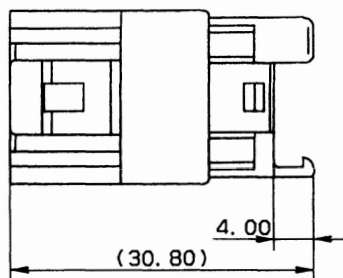


NO.	PART NO.	NAME	MATERIAL	COLOR
①	7123-1823-30	W TYPE CONNECTOR HOUSING 2PF(B)	NYLON	BLACK
②	7137-2320-80	PACKING FOR W TYPE CONNECTOR 2P	SELF LUBRICATING SILICON RUBBER	BROWN



NOTES

- 1) APPLICABLE TERMINAL NO. :
7116-1232 ETC.
- 2) APPLICABLE REAR HOLDER NO. :
7157-6520-80
- 3) MATING PART NO. :7122-1823-30

注記

- 1) 適用端子品番:7116-1232 ETC.
- 2) 適用リヤホルダ`品番:7157-6520-80
- 3) 嵌合相手品番:7122-1823-30

ISSUE MARK

				CUSTOMER		MATL. SPEC.		TREAT. & FIN.	
				CUSTOMER PART NO.		CUSTOMER DWG NO.		NAME	
				OFFICE		STDLIB NO.		W TYPE CONNECTOR 2PF(B)	
88.12.12				NEW		BMC-3189		T.M	
LET	DATE	REVISION RECORD		NO.	CHKD	VENDOR		VENDOR NO.	
GENERAL TOLERANCE									
	10MAX	50MAX	100MAX	250MAX	250OVR	ANGLE	ECCENT	DWG TYPE	DWG SOURCE
A	±0.15	±0.2	±0.3	±0.5	±0.75	±30'	0.1	SR	NEW
B	±0.2	±0.3	±0.55	±0.95	±1.4	±30'	0.1	APPROVED	CHECKED
C	±0.3	±0.5	±0.8	±1.4	±2	±30'	0.15		
SPECIFIED						WEIGHT		9	
						K.sato		T.May	
						58/12/14		85.12.13	
						SAKAI		S. YAGI	
						85.06.28		88.10.20	
						PART NO.		7223-1823-30	
						DWG NO.		7223-1823-30:R	
						TRIAL PART NO.			
						YAZAKI CORPORATION			

1

2

3

