

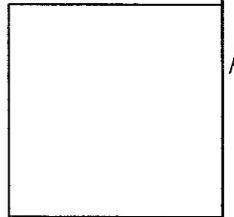
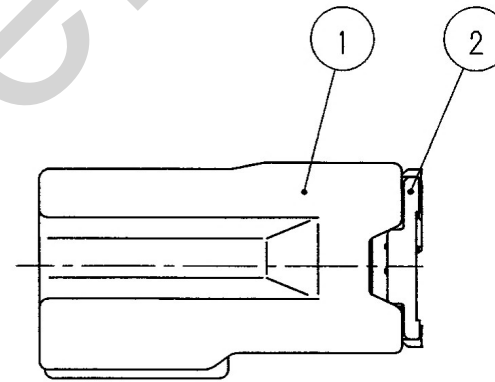
SUB ASSEMBLY PART NO. AND CH. CODE	NO.	PART NO. AND CH. CODE	MATERIAL	COLOR	QTY.
7222-6714. ㊦	①	7122-6714	PBT	NATURAL	1
	②	7157-6134-30	PP	BLACK	1

NOTES

- MATING PART NO. : 7223-6714
- APPLICABLE TERMINAL NO. : 7114-1535-02 ETC.

注記

- 嵌合相手品番 : 7223-6714
- 適用端子品番 : 7114-1535-02 ETC.



ISSUE MARK

△	00.02.16	CHANGED FORM (REAR HOLDER). ㊦	C00-L209	M. K	CUSTOMER	MATL. SPEC.	SEE TABLE	TREAT. & FIN.							
△	96.07.05	CHANGED FORM. ㊦	C96-M249	M. T	CUSTOMER PART NO.	CUSTOMER DWG NO.									
	92.07.01	NEW	C92-6638	M. K	OFFICE	TRIAL PART NO.	NAME	NS TYPE 8P							
LET	DATE	REVISION RECORD	NO.	CHKD	VENDOR	VENDOR NO.	SUB ASSEMBLY MALE								
GENERAL TOLERANCE															
	10MAX	50MAX	100MAX	250MAX	2500VR	ANGLE	ECCENT	DWG TYPE	DWG SOURCE	DWG DATE	UNIT	SCL	ANGLE	PART NO. CH. CODE	7222-6714. ㊦
A	±0.15	±0.2	±0.3	±0.5	±0.75	±30'	0.1	R	NEW	92.07.01	mm	2/1	3	DWG NO.	7222-6714:R
B	±0.2	±0.3	±0.55	±0.95	±1.4	±30'	0.1	APPROVED	CHECKED	CHECKED	DESIGN	DRAWN		SET DWG NO.	
Ⓒ	±0.3	±0.5	±0.8	±1.4	±2	±30'	0.15					YAZAKI CORPORATION			
SPECIFIED					MASS	9	00.02.21	00.02.18	92.03.27	00.02.15					