

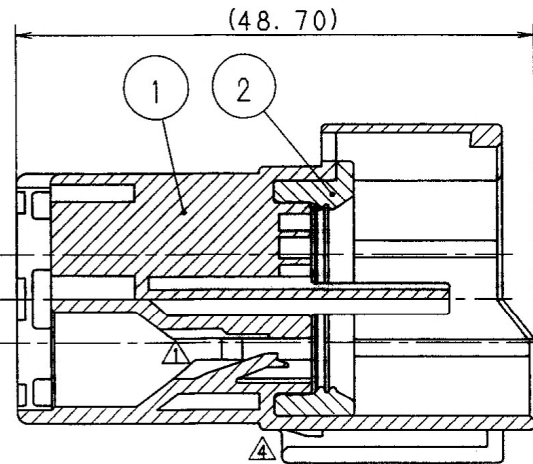
SUB ASSEMBLY PART NO. AND CH. CODE	NO.	PART NO. AND CH. CODE	MATERIAL	COLOR
7222-6244-40, \square	①	7122-6244-40	PBT	GRAY
	②	7137-2440-80	SILICONE RUBBER	BROWN

注記

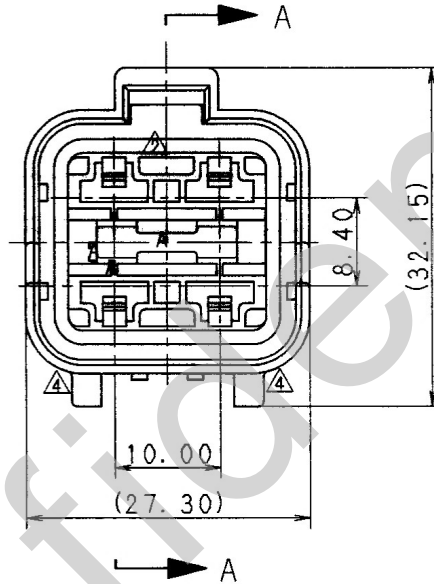
1. 炭合雌ハウジング品番: 7123-6244-40
2. 適用ターミナル品番: 7114-2873, -2874
3. 適用ゴム栓品番: 7157-3570, -3571-80

NOTES

1. APPLICABLE FEMALE HOUSING PART NO. : 7123-6244-40
2. APPLICABLE TERMINAL PART NO. : 7114-2873, -2874
3. APPLICABLE RUBBER SEAL NO. : 7157-3570, -3571-80



SEC. A-A



DATE	REVISION RECORD	NO.	CHKD	VENDOR	CUSTOMER		MATL. SPEC.	TREAT. & FIN.							
00.02.15	CHANGED FORM. \square	C00-L211	M. K		CUSTOMER PART NO.		SEE TABLE								
94.06.29	CORRECTION OF A CLERICAL ERROR	C94-L901	M. T		CUSTOMER DWG NO.										
90.10.16	CORRECTED AN ERROR IN WRITING	C90-7296	H. Y		OFFICE										
88.04.21	CHANGED FORM	8MC-4050	T. M		TRIAL PART NO.										
87.11.12	NEW	7MC-4118	T. M												
LET				VENDOR		NAME X TYPE CONNECTOR									
GENERAL TOLERANCE				VENDOR NO.		SUB ASSEMBLY 4PM (GY) \triangle									
	10MAX	50MAX	100MAX	250MAX	250OVR	ANGLE	ECCENT	DWG TYPE	DWG SOURCE	DWG DATE	UNIT	SCL	ANGLE	PART NO. CH. CODE	7222-6244-40, \square
A	± 0.15	± 0.2	± 0.3	± 0.5	± 0.75	$\pm 30'$	0.1	R	NEW	87.11.12	mm	2/1	3	DWG NO.	7222-6244-40:R
B	± 0.2	± 0.3	± 0.55	± 0.95	± 1.4	$\pm 30'$	0.1	APPROVED	CHECKED	CHECKED	DESIGN	DRAWN		SET DWG NO.	
(C)	± 0.3	± 0.5	± 0.8	± 1.4	± 2	$\pm 30'$	0.15				T. MASUDA	T. YOSHIDA			
SPECIFIED				MASS		g		00.03.09		00.03.07		00.03.07		87.11.12 00.02.15	
														YAZAKI CORPORATION	

ISSUE MARK