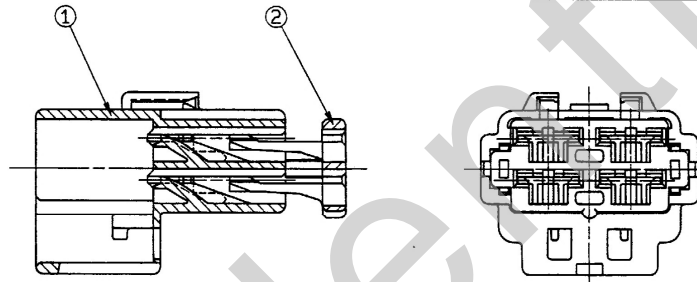
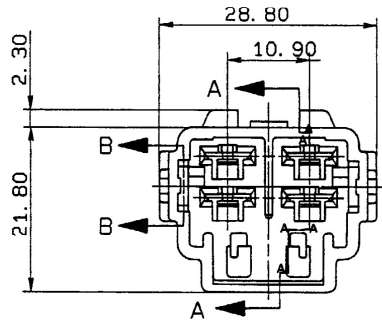
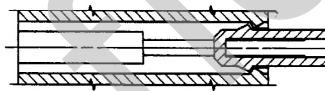
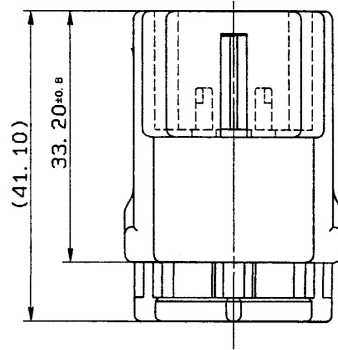


QUANTITY	NO.	YAZAKI PART NO.	YAZAKI PART NAME	MATL.	COLOR			
1		7122-5545	250 (MC) CONNECTOR HOUSING MALE 4P	PBT	NATURAL			
1		7122-5545-30			BLACK			
1	①	7122-5545-60			GREEN			
1		7122-5545-90			BLUE			
1	1	1	1	②	7157-4926-70	250 (MC) CONNECTOR HOLDER MALE 4P	PBT	YELLOW
7222-5545	7222-5545-30	7222-5545-60	7222-5545-90	SUB ASS'Y PART NO.				



SEC A-A



SEC B-B

NOTES

- 1) APPLICABLE TERMINAL PART NO. :
7114-2250, 2251, 2252
- 2) MATING PART NO. : 7223-5545 ETC., 5546 ETC.

注記

- 1) 適用端子番: 7114-2250, 2251, 2252
- 2) 嵌合相手番: 7223-5545 ETC., 5546 ETC.

LET	DATE	REVISION RECORD	NO.	CHKD
	88.12.24	NEW	C89-L074	M. Y

GENERAL TOLERANCE							
	10MAX	50MAX	100MAX	250MAX	2500VR	ANGLE	ECCENT
A	±0.15	±0.2	±0.3	±0.5	±0.75	±30'	0.1
B	±0.2	±0.3	±0.55	±0.95	±1.4	±30'	0.1
◎	±0.3	±0.5	±0.8	±1.4	±2	±30'	0.15

CUSTOMER		MTRL. SPEC.		SEE TABLE		TREAT. & FIN.	
CUSTOMER PART NO.		CUSTOMER DWG NO.		NAME			
				250(MC) CONNECTOR			
OFFICE		STDLIB NO.		SUB ASS'Y MALE 4P			
VENDOR		VENDOR NO.		PART NO.			
				7222-5545 ETC.			
DWG TYPE		DWG SOURCE		DWG DATE		UNIT	
SR		NEW		88.12.26		mm	
APPROVED		CHECKED		DESIGN		DRAWN	
		4T 2 1 1		NORIZUKI		山梨	
SPECIFIED		88.12.26		88.05.20		88.02.06	
						DWG NO. 7222-5545: R	
						TRIAL PART NO. 088722-1092 ETC.	
YAZAKI CORPORATION							