

1

2

3

GENERAL TOLERANCE

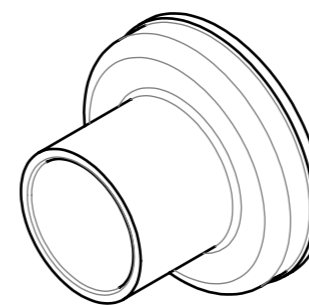
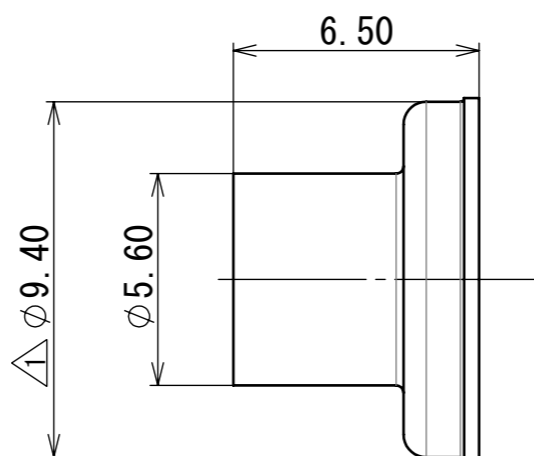
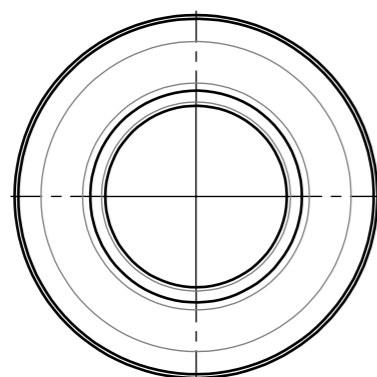
10 MAX	50 MAX	100 MAX	250 MAX	250 OVR	R5 MAX	R10 MAX	R20 MAX	R20 OVR	ANGLE	ECCENT
±0.3	±0.5	±0.8	±1.4	±2	±0.2	±0.3	±0.5	±2.5	±3°	0.15

技术要求

- 1. 材料: 铁
- 表面处理: 镀锌
- 2. 适用屏蔽环: 7185-0806

NOTES

- 1. MATERIAL : STEEL
- TREATMENT: Zn PLATING
- 2. APPLICABLE SHIELD PIPE: 7185-0806



REFERENCE

ISSUE MARK

CUSTOMER		MATERIAL SPEC.		TREAT. & FIN.	
CUSTOMER PART NO.		SEE NOTES		SEE NOTES	
OFFICE		NAME HV 4.8 CONNECTOR 2P			
VENDOR		SHIELD TERMINAL (FOR O. D. φ 4.52)			
VENDOR NO.		TRIAL PART NO. X31858-T084		PART NO. 7185-0805-03.	
DWG TYPE	DWG SOURCE	DWG DATE	UNIT	SCL	ANGLE
R	NEW	2017/06/23	mm	5:1	3
APPROVED	CHECKED	CHECKED	DESIGN	DRAWN	
CHEN. HJ	ZENG. GF	FAN. LJ	SHEN. HT	SHEN. HT	
2020/03/10	2020/03/10	2021/03/10	2017/06/23	2021/03/10	
SPECIFIED		MASS 0.6g		DWG NO. 7185-0805-03:R	
				SET DWG NO.	
			YAZAKI CORPORATION		

1

2

3

A3