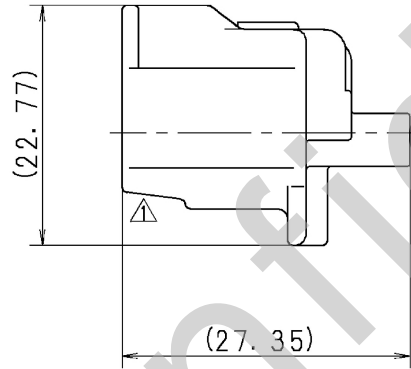
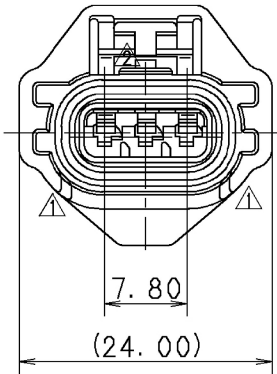
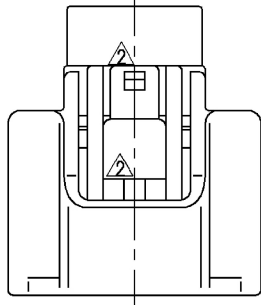


1

2

3



注記

- | | |
|----------------|---------------------|
| 1. 通用フロントホルダ品番 | : 7158-4892 |
| 2. 通用端子品番 | : 7116-1466-02 ETC. |
| 3. 通用ゴム栓品番 | : 7158-3120-90 ETC. |
| 4. 通用防水栓品番 | : 7157-3992-90 |
| 5. 材質 ハウジング | : PBT 色 : 黒 |
| リップパッキン | : シリコンゴム 色 : 茶色 |

NOTES

- | | |
|----------------------------------|---------------------------------|
| 1. APPLICABLE FRONT HOLDER NO. | : 7158-4892 |
| 2. APPLICABLE TERMINAL NO. | : 7116-1466-02 ETC. |
| 3. APPLICABLE SEAL RUBBER NO. | : 7158-3120-90 ETC. |
| 4. APPLICABLE RUBBER STOPPER NO. | : 7157-3992-90 |
| 5. MATERIAL HOUSING | : PBT COLOR : BLACK |
| LIP PACKING | : SILICONE RUBBER COLOR : BROWN |

ISSUE MARK

△	10/11/15	CHANGED PART NAME	C10-ZB08	J. G	CUSTOMER	MATL. SPEC.	SEE NOTES	TREAT. & FIN.							
△	07/01/30	CHANGED FORM. ㊦	C07-Z094	K. N	CUSTOMER PART NO.	CUSTOMER DWG NO.									
△	99/01/09	CHANGED FORM. ㊦	C99-6055	K. U			NAME	ARK-TYPE HOUSING 3P							
△	98/02/23	NEW	C98-L278	M. T	OFFICE	TRIAL PART NO.		FEMALE (B)							
LET	DATE	REVISION RECORD	NO.	CHKD	VENDOR										
GENERAL TOLERANCE					VENDOR NO.										
	10MAX	50MAX	100MAX	250MAX	2500VR	ANGLE	ECCENT	DWG TYPE	DWG SOURCE	DWG DATE	UNIT	SCL	ANGLE	PART NO.	7183-7874-30, ㊦
A	±0.15	±0.2	±0.3	±0.5	±0.75	±30'	0.1	R	NEW	98/02/23	mm	2:1	3	CH. CODE	
B	±0.2	±0.3	±0.55	±0.95	±1.4	±30'	0.1	APPROVED	CHECKED	CHECKED	DESIGN	DRAWN	DWG NO.	7183-7874-30:R	SET DWG NO.
©	±0.3	±0.5	±0.8	±1.4	±2	±30'	0.15	S. MIZUSE	——	R. DE GUZMAN	M. TSUJI	J. GAMBOA	YAZAKI CORPORATION		
SPECIFIED					MASS	10/11/15	——	10/11/15	97/07/07	10/11/15					

1

2

3