

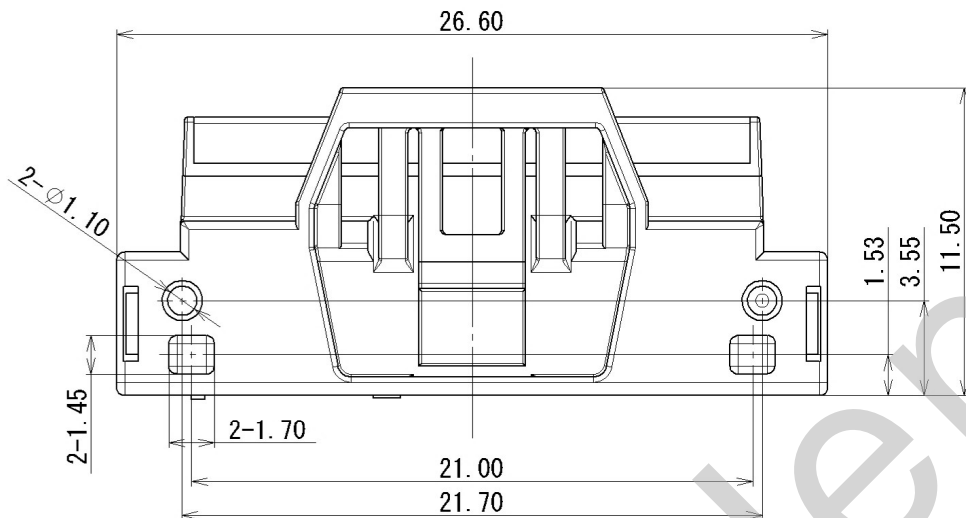
1

2

3

B

B

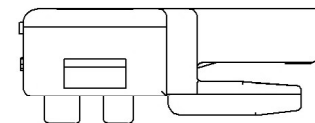
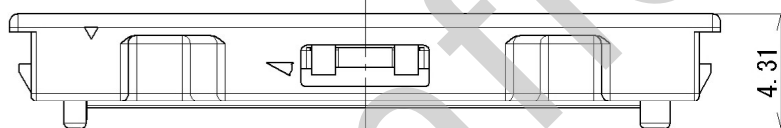


注記

- 1. かん合相手コネクタ品番 : 7325-4222
- 2. 組み付けカバー品番 : 7173-1472-30

NOTES

- 1. MATING CONNECTOR PART No : 7325-4222
- 2. MATING COVER PART No : 7173-1472-30



ISSUE MARK

										CUSTOMER				MATL. SPEC.		TREAT. & FIN.											
										CUSTOMER PART NO.				CUSTOMER DWG NO.													
										OFFICE				TRIAL PART NO.													
										VENDOR				NAME													
										VENDOR NO.				YFC05 II (40) SLIDER													
GENERAL TOLERANCE										DWG TYPE		DWG SOURCE		DWG DATE		UNIT		SCL		ANGLE		PART NO.					
IOMAX		50MAX		IOMAX		250MAX		2500VR		ANGLE		ECCENT		R		NEW		2010/03/08		mm		5:1		3		7173-1471-30	
A		±0.15		±0.2		±0.3		±0.5		±0.75		±30'		O.1		APPROVED		CHECKED		CHECKED		DESIGN		DRAWN		7173-1471-30:R	
B		±0.2		±0.3		±0.55		±0.95		±1.4		±30'		O.1		T. OSHIMA		K. JINNO		—		K. OHYAMA		K. OHYAMA		SET DWG NO.	
C		±0.3		±0.5		±0.8		±1.4		±2		±30'		O.15		2010/03/08		2010/03/08		—		2010/03/08		2010/03/08		YAZAKI CORPORATION	
SPECIFIED										MASS		0.51 g															

1

2

3