

1

2

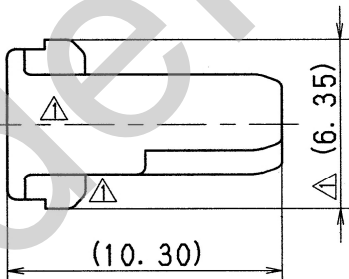
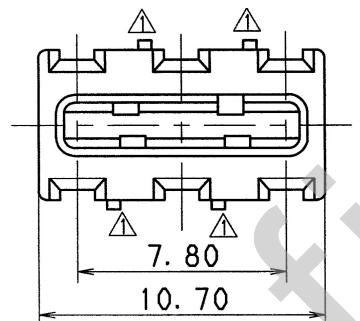
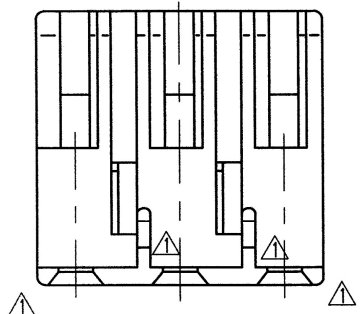
3

B

A

B

A



注記

- △ 1. 適用ハウジング品番： 7183-7773-40 (7B83-7773-40)
- △ 2. ( ) 内品番は、エアバッグ (A/B) 回路及び、特別管理回路に使用するとき、適用すること。

NOTES

- △ 1. APPLICABLE HOUSING NO. : 7183-7773-40  
(7B83-7773-40)
- △ 2. ( ) PART NO. IS USED FOR PARTS ASSOCIATED WITH A/B CIRCUITS OR OTHER SPECIFIED CIRCUIT.

ISSUE MARK

△	03. 11. 25	ADDED A/B PART NO. & ADDED NOTE	C03-X618	T. H	CUSTOMER	MATL. SPEC.	PBT (NATURAL)	TREAT. & FIN.	
△	98. 11. 09	CHANGED FORM. □	C98-M865	M. F	CUSTOMER PART NO.	CUSTOMER DWG NO.			
△	98. 04. 01	NEW	C98-L585	M. I	OFFICE	TRIAL PART NO.	NAME RK-TYPE CONNECTOR		
LET	DATE	REVISION RECORD	NO.	CHKD	VENDOR	6PF (GY) FRONT HOLDER			
GENERAL TOLERANCE					VENDOR NO.				
	10MAX	50MAX	100MAX	250MAX	2500VR	ANGLE	ECCENT	DWG TYPE	
A	±0.15	±0.2	±0.3	±0.5	±0.75	±30'	0.1	R	
B	±0.2	±0.3	±0.55	±0.95	±1.4	±30'	0.1	APPROVED	
©	±0.3	±0.5	±0.8	±1.4	±2	±30'	0.15	CHECKED	
SPECIFIED					MASS	DESIGN		DRAWN	
					g	大位	濱井	M. TSUJI	
						03.12.04	03.12.01	03.11.25	
							97.06.20	H. HIRAUCHI	
								岩崎	
								DWG NO. 7158-4885:R	
								SET DRW NO.	
								YAZAKI CORPORATION	

1

2

3