

1

2

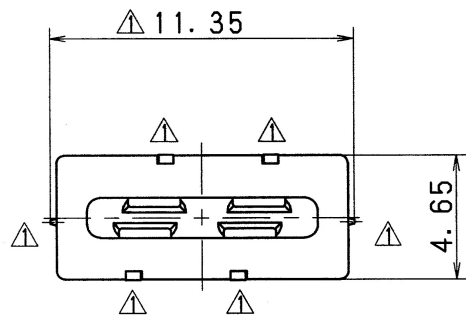
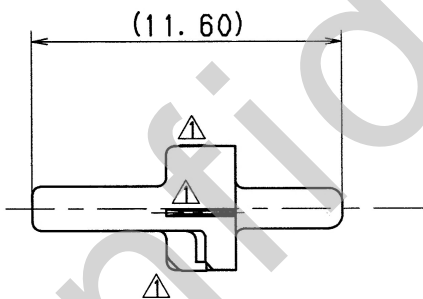
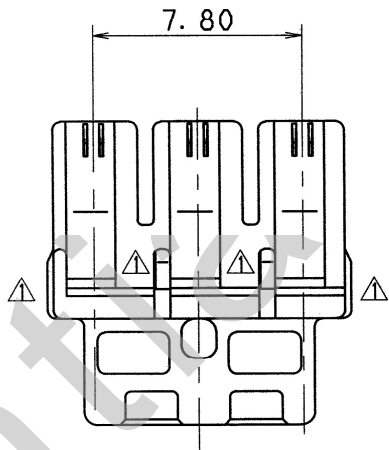
3

注記

- △ 1. 適用ハウジング品番 : 7182-7773-40 (7B82-7773-40)
- △ 2. () 内品番は、エアバッグ (A/B) 回路及び、特別管理回路に使用するとき、適用すること。

NOTES

- △ 1. APPLICABLE HOUSING NO. : 7182-7773-40 (7B82-7773-40)
- △ 2. () PART NO. IS USED FOR PARTS ASSOCIATED WITH A/B CIRCUITS OR OTHER SPECIFIED CIRCUIT.



ISSUE MARK

△	03. 11. 25	ADDED A/B PART NO. & ADDED NOTE	C03-X621	T. H	CUSTOMER				MATERIAL SPEC. PBT (NATURAL)			TREAT. & FIN.			
△	98. 11. 09	CHANGED FORM, □	C98-M864	M. F	CUSTOMER PART NO.				CUSTOMER DWG NO.			NAME RK-TYPE CONNECTOR			
	98. 04. 01	NEW	C98-L584	M. I	OFFICE				TRIAL PART NO.			NAME 6PM (GY) FRONT HOLDER			
LET	DATE	REVISION RECORD	NO.	CHKD	VENDOR				VENDOR NO.			PART NO. △ 7158-4884, □ (7B58-4884, □)			
GENERAL TOLERANCE					DWG TYPE	DWG SOURCE	DWG DATE	UNIT	SCL	ANGLE	DWG NO. 7158-4884 : R				
	10MAX	50MAX	100MAX	250MAX	2500VR	ANGLE	ECCENT				SET DRW NO.				
A	±0.15	±0.2	±0.3	±0.5	±0.75	±30'	0.1	R	NEW	98.04.01	mm	5/1	3		
B	±0.2	±0.3	±0.55	±0.95	±1.4	±30'	0.1	APPROVED	CHECKED	CHECKED	DESIGN	DRAWN			
◎	±0.3	±0.5	±0.8	±1.4	±2	±30'	0.15	大住		渡井		M. TSUJI	H. HIRAOCHI		
SPECIFIED					MASS	g		03.12.04		03.12.01		97.06.20		03.11.25	
										YAZAKI CORPORATION					

1

2

3