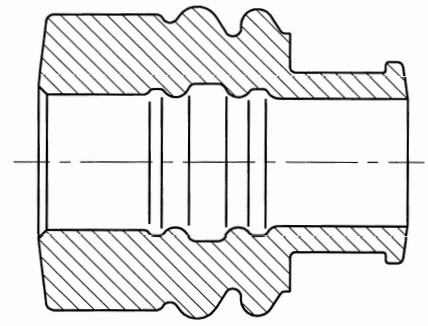
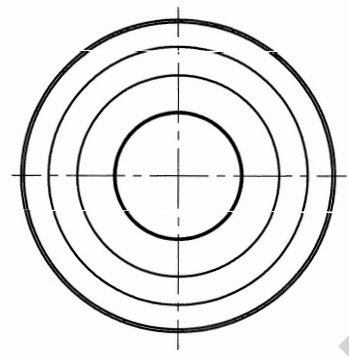
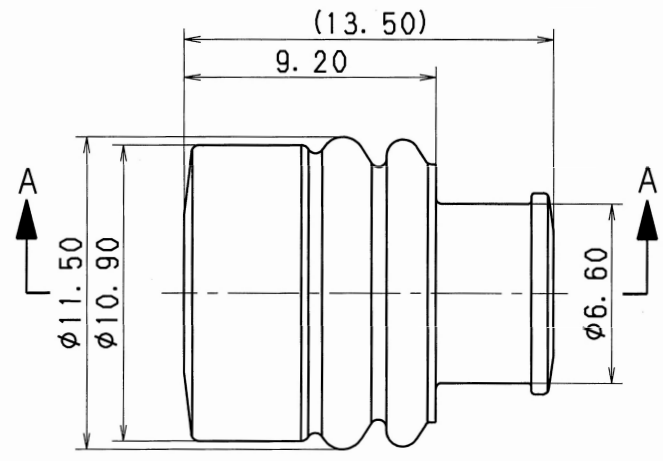


RUBBER PART GENERAL TOLERANCE			
PART DIM.	1	2	③
0 TO 3	± 0.2	± 0.3	± 0.4
3 TO 6	± 0.2	± 0.4	± 0.5
6 TO 10	± 0.3	± 0.5	± 0.6
10 TO 18	± 0.3	± 0.6	± 0.8
18 TO 30	± 0.4	± 0.8	± 1.0
30 TO 50	± 0.5	± 1.0	± 1.5
50 TO 80	± 0.6	± 1.2	± 2.0
80 TO 120	± 0.7	± 1.4	± 2.5
120 TO 180	± 0.8	± 1.6	± 3.0
180 TO 250	± 1.0	± 2.0	± 4.0
250 TO 315	± 1.2	± 2.5	± 5.0
315 TO 400	± 1.5	± 3.0	± 6.0
400 TO 500	± 1.8	± 3.5	± 7.0
500 OVER	± 0.4 %	± 0.8 %	± 1.5 %



SEC. A-A

注記

- △ 1. 適用電線サイズ : AVX 8.0
AVX-f 8.0
AEX 8.0

NOTE

- △ 1. APPLICABLE WIRE SIZE : AVX 8.0
AVX-f 8.0
AEX 8.0

ISSUE MARK

				CUSTOMER				MATERIAL SPEC.				TREAT. & FIN.	
				CUSTOMER PART NO.				SILICONE RUBBER (DARK GREEN)					
△ 2018/04/18				ADDED APPLICABLE WIRE SIZE, ETC.				NEW				NAME △ 8.0 RUBBER STOPPER	
1995/10/23				C18-Z059 A. O				C95-M403 K. O				TRIAL PART NO.	
LET				DATE				REVISION RECORD				VENDOR	
				NO.				CHKD				VENDOR NO.	
GENERAL TOLERANCE												PART NO.	
												CH. CODE	
												DWG NO.	
												SET DWG NO.	
												YAZAKI CORPORATION	

	10MAX	50MAX	100MAX	250MAX	250OVR	ANGLE	ECCENT
A	±0.15	±0.2	±0.3	±0.5	±0.75	±30'	0.1
B	±0.2	±0.3	±0.55	±0.95	±1.4	±30'	0.1
C	±0.3	±0.5	±0.8	±1.4	±2	±30'	0.15
SPECIFIED							MASS

DWG TYPE	DWG SOURCE	DWG DATE	UNIT	SCL	ANGLE
R	NEW	1995/10/23	mm	5:1	3
APPROVED	CHECKED	CHECKED	DESIGN	DRAWN	
N. TAGUCHI	K. FUKUDA		MAEDA	A. QUIROL	
2018/04/18	2018/04/18		1994/09/15	2018/04/18	