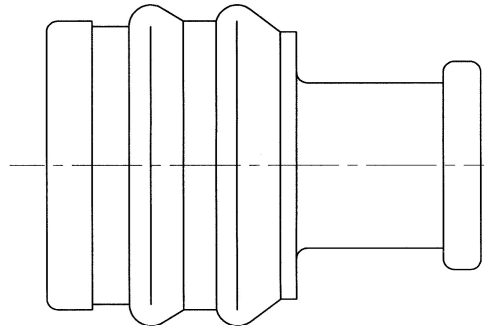


1

2

3

YAZAKI PART NO. AND CH. CODE	NO.	PART NAME	PART NO.	MATERIAL
7157-7812 △(7B57-7812)	①	REAR STOPPER	7157-7810-80 △(7B57-7810-80)	PBT (BROWN)
	②	SEAL RUBBER		SELF-LUBRICATING SILICONE RUBBER



△ 注記

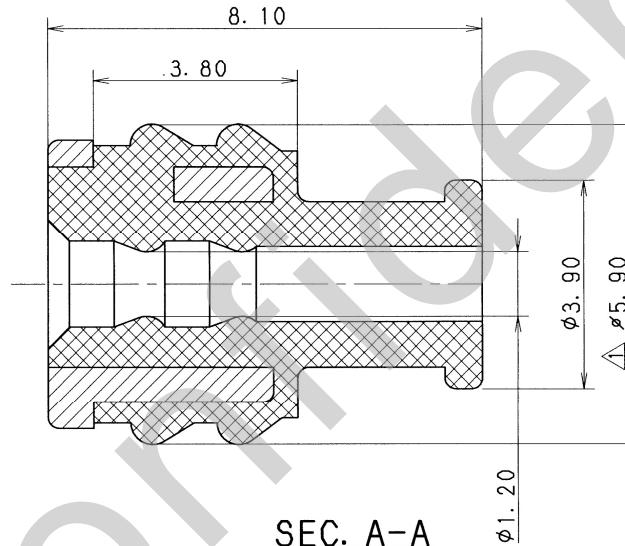
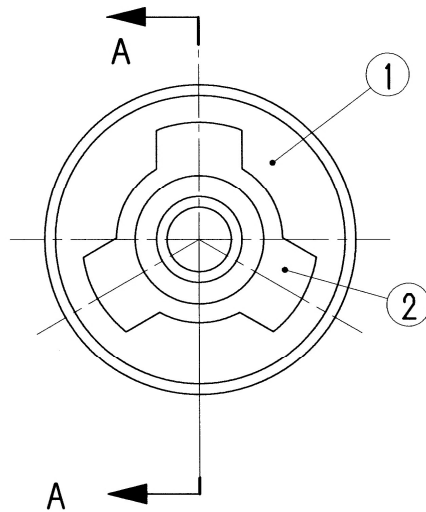
1. かん合部品番号は：7222-1424-40, 7123-1424-40 ETC.
2. 適用電線サイズ：AVS 0.3, AVS 0.5, CAVS 0.5
AEX (AVX) 0.5

△ NOTES

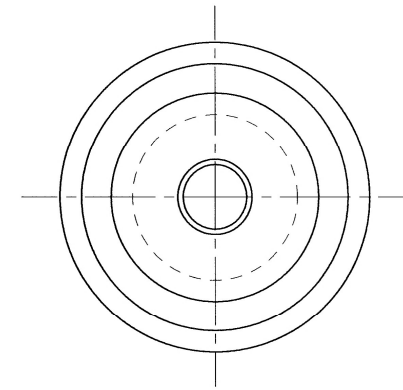
1. MATING PART NO. : 7222-1424-40, 7123-1424-40 ETC.
2. APPLICABLE WIRE SIZE : AVS 0.3, AVS 0.5, CAVS 0.5
AEX (AVX) 0.5
3. () PART NO IS USED FOR PARTS ASSOCIATED WITH A/B CIRCUITS OR OTHER SPECIFIED CIRCUITS.

B

B



SEC. A-A



ISSUE MARK

GENERAL TOLERANCE					CUSTOMER					MATT. SPEC.			TREAT. & FIN.					
△	08.11.24	ADDED A/B PART NO., ETC.	C08-Z837	T. W	CUSTOMER PART NO.					CUSTOMER DWG NO.			△ SEE TABLE					
△	88.05.10	CHANGED FORM	8MC-0536	S. Y	OFFICE					TRIAL PART NO.			NAME SWP-TYPE CONNECTOR					
	87.04.11	NEW	7MC-0179	S. K	VENDOR								SEAL RUBBER 1P ASSY (I)					
LET	DATE	REVISION RECORD	NO.	CHKD	VENDOR NO.								PART NO. 7157-7812 (7B57-7812) △					
					DWG TYPE	DWG SOURCE	DWG DATE	UNIT	SCL	ANGLE	CH. CODE		DWG NO.		SET DWG NO.			
A	±0.15	±0.2	±0.3	±0.5	±0.75	±30'	0.1	R	NEW	87.04.11	mm	10:1	3	7157-7812:R				
B	±0.2	±0.3	±0.55	±0.95	±1.4	±30'	0.1	APPROVED	CHECKED	CHECKED	DESIGN	DRAWN		YAZAKI CORPORATION				
©	±0.3	±0.5	±0.8	±1.4	±2	±30'	0.15	杉山 (印)		渡辺	山田	C. AGCAOILI						
SPECIFIED					MASS		g		08.12.04		08.12.04		87.04.11		08.11.24			

1

2

3