

1

2

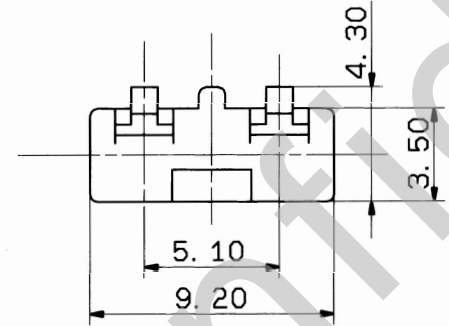
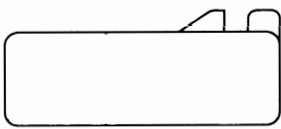
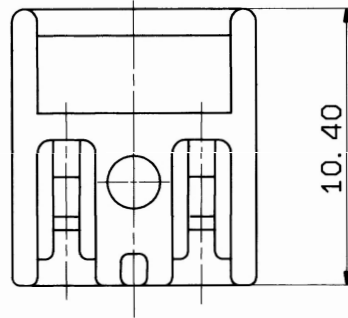
3

注記

1. 適用ハウジング品番: 7222-7740-40, 7222-7741-80, 他 △

NOTE

1. APPLICABLE HOUSING NO: 7222-7740-40, 7222-7741-80, ETC △



ISSUE MARK

										CUSTOMER				MATL. SPEC. PBT (LIGHT GRAY) △		TREAT. & FIN.					
										CUSTOMER PART NO.				CUSTOMER DWG NO.							
										OFFICE				STDLIB NO.							
										VENDOR				NAME △ FRONT HOLDER FOR							
										VENDOR NO.				Z-TYPE CONNECTOR 4P M							
GENERAL TOLERANCE										DWG TYPE		DWG SOURCE		DWG DATE		UNIT		SCL		ANGLE	
		10MAX	50MAX	100MAX	250MAX	2500VR	ANGLE	ECCENT	R		RENEW		89.07.03		mm		5/1		3		
A	±0.15	±0.2	±0.3	±0.5	±0.75	±30'	0.1	APPROVED		CHECKED		CHECKED		DESIGN		DRAWN		PART NO. △ 7157-7748-40			
B	±0.2	±0.3	±0.55	±0.95	±1.4	±30'	0.1	YASHIMA		YASHIMA		甲斐		DWG NO. △ 7157-7748-40:R		TRIAL PART NO.					
©	±0.3	±0.5	±0.8	±1.4	±2	±30'	0.15	YASHIMA		YASHIMA		甲斐		YAZAKI CORPORATION							
SPECIFIED										WEIGHT		g		87. 3. 20		92. 11. 20					

1

2

3