

1

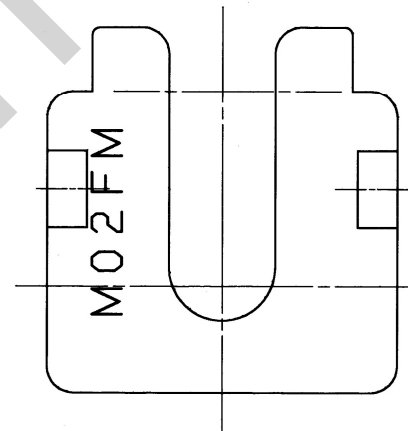
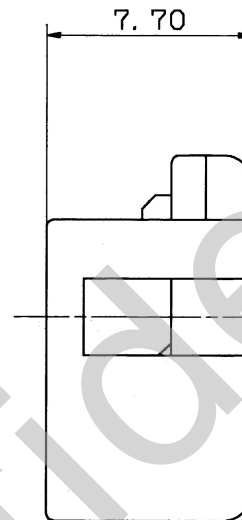
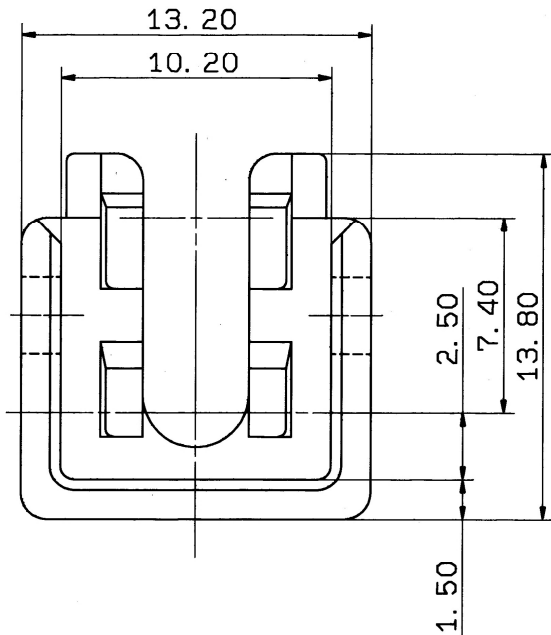
2

3

PART NO.	NAME	COLOR	APPLICABLE HOUSING NO.	
			MALE	FEMALE
7157-6222-50	REAR HOLDER FOR M TYPE 2P F. M. G	ORANGE Δ	7122-6026-60 7122-6029-60	7123-6026-60
7157-6222-80	REAR HOLDER FOR M TYPE 2P F. M. BR	BROWN	7122-6028-80	7123-6028-80

B

B



A

A

ISSUE MARK

CUSTOMER					MATERIAL SPEC.			TREAT. & FIN.							
CUSTOMER PART NO.		CUSTOMER DWG NO.			P. P.										
Δ	91.09.12	誤記訂正	C91-7283	M. K	REAR HOLDER										
	88.12.12	NEW	BMC-3178	T. M	FOR M TYPE 2P M, F										
LET	DATE	REVISION RECORD	NO.	CHKD	PART NO. 7157-6222-50 ETC.										
GENERAL TOLERANCE					DWG NO. 7157-6222-50:R										
	10MAX	50MAX	100MAX	250MAX	2500VR	ANGLE	ECCENT	DWG TYPE	DWG SOURCE	DWG DATE	UNIT	SCL	ANGLE	TRIAL PART NO.	
A	± 0.15	± 0.2	± 0.3	± 0.5	± 0.75	$\pm 30'$	0.1	R	NEW	88.11.07	mm	5/1	3		
B	± 0.2	± 0.3	± 0.55	± 0.95	± 1.4	$\pm 30'$	0.1	APPROVED	CHECKED	CHECKED	DESIGN	DRAWN			
C	± 0.3	± 0.5	± 0.8	± 1.4	± 2	$\pm 30'$	0.15	Sakai		M. KAI		YAZAKI CORPORATION			
SPECIFIED							WEIGHT								
							1	g							
								91.8.18	91.9.13	91.9.13	82.08.02	91.09.12			

1

2

3