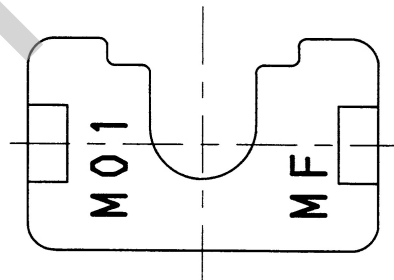
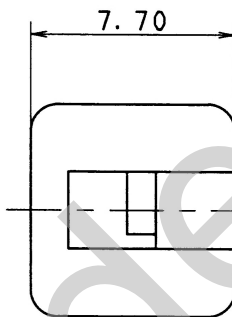
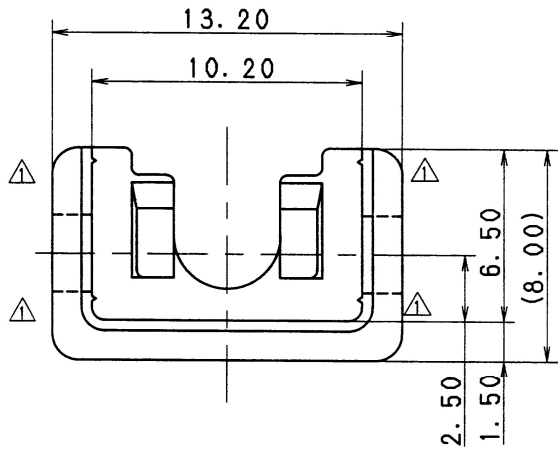


PART NO.	PART NAME	COLOR	APPLICABLE HOUSING NO.	
			MALE	FEMALE
7157-6210-30	REAR HOLDER FOR M TYPE 1P M, F, W	BLACK	7122-6010 7122-6010-40	7123-6010 7123-6010-40
7157-6210-40	REAR HOLDER FOR M TYPE 1P M, F, B	LIGHT GRAY	7122-6013-30	7123-6013-30



CUSTOMER				MATERIAL SPEC.				TREAT. & FIN.							
CUSTOMER PART NO.		CUSTOMER DWG NO.		P. P.		TREAT. & FIN.		NAME							
△	97.12.01	CORRECTED AN ERROR	C97-8496	H. K				REAR HOLDER							
	88.12.08	NEW	8MC-3175	T. M				FOR M TYPE 1P M, F							
LET	DATE	REVISION RECORD	NO.	CHKD	VENDOR	TRIAL PART NO.									
GENERAL TOLERANCE				VENDOR NO.											
	10MAX	50MAX	100MAX	250MAX	2500VR	ANGLE	ECCENT	DWG TYPE	DWG SOURCE	DWG DATE	UNIT	SCL	ANGLE	PART NO.	
A	±0.15	±0.2	±0.3	±0.5	±0.75	±30'	0.1	R	NEW	88.10.24	mm	5/1	3	7157-6210-30 ETC.	
B	±0.2	±0.3	±0.55	±0.95	±1.4	±30'	0.1	APPROVED	CHECKED	CHECKED	DESIGN	DRAWN		DWG NO.	
©	±0.3	±0.5	±0.8	±1.4	±2	±30'	0.15	神田	—	渡辺	SAKAI	小林		7157-6210-30:R	
SPECIFIED				MASS				97.12.01				YAZAKI CORPORATION			
				9				97.12.01				82.07.30			