

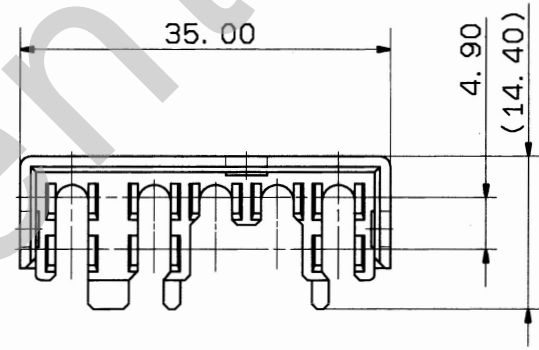
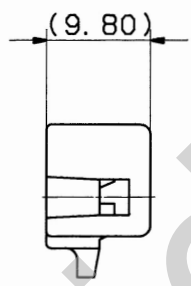
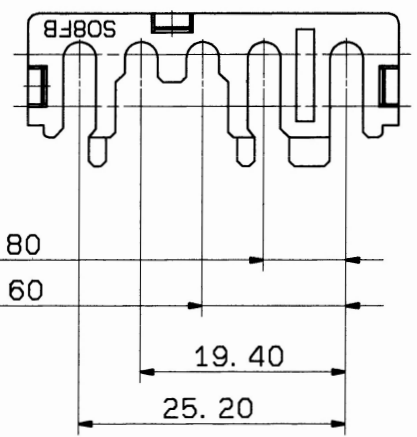
PART NO.	COLOR
7157-6085	NATURAL
7157-6085-20	VIOLET

注記

1. 適用ハウジング品番 : 7123-1683-30

NOTE

1. APPLICABLE PART NO. : 7123-1683-30



ISSUE MARK

				CUSTOMER				MATL. SPEC. 6-NYLON				TREAT. & FIN.				
				CUSTOMER PART NO.				CUSTOMER DWG NO.								
94. 03. 25				NEW				C94-L415				H. K				
LET	DATE	REVISION RECORD		NO.		CHKD		OFFICE				TRIAL PART NO.				
								VENDOR				NAME RAER HOLDER FOR S08FB				
								VENDOR NO.								
GENERAL TOLERANCE												PART NO. 7157-6085 ETC.				
	10MAX	50MAX	100MAX	250MAX	250OVR	ANGLE	ECCENT	DWG TYPE	DWG SOURCE	DWG DATE	UNIT	SCL	ANGLE	CH. CODE	7157-6085 :R	
A	±0.15	±0.2	±0.3	±0.5	±0.75	±30'	0.1	R	NEW	94.03.25	mm	2/1	3	DWG NO.	7157-6085 :R	
B	±0.2	±0.3	±0.55	±0.95	±1.4	±30'	0.1	APPROVED	CHECKED	CHECKED	DESIGN	DRAWN				
©	±0.3	±0.5	±0.8	±1.4	±2	±30'	0.15	11木		渡辺		TAKAHASHI	SHIBATA			
SPECIFIED							MASS		11木		渡辺		YAZAKI CORPORATION			
							g		74.3.28		94.3.23		82.08.23		94.03.25	