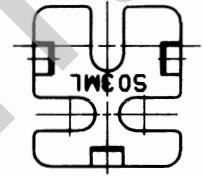
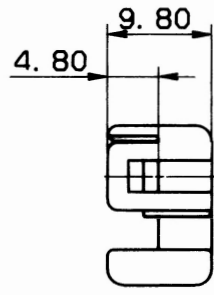
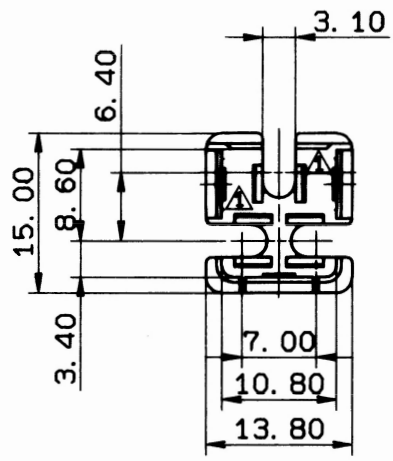


注 記

1. 適用オスハウジング品番: 7122-1639-90

△ NOTE

1. APPLICABLE MALE HOUSING NO. : 7122-1639-90



ISSUE MARK

CUSTOMER										MATERIAL			TREAT.					
CUSTOMER PART NO. △										NYLON 6			& FIN.					
CUSTOMER DWG NO.										SPEC. (LIGHT BLUE)								
OFFICE △										NAME △ REAR HOLDER FOR								
VENDOR										S03ML								
VENDOR NO.										PART NO. 7157-6032-90								
GENERAL TOLERANCE										DWG DATE			UNIT		SCL		ANGLE	
10MAX	50MAX	100MAX	250MAX	250OVR	ANGLE	ECCENT	DWG TYPE	DWG SOURCE	DWG DATE	UNIT	SCL	ANGLE	DWG NO. △7157-6032-90:R			TRIAL PART NO.		
A ±0.15	±0.2	±0.3	±0.5	±0.75	±30°	0.1	R	RENEW	83.08.04	mm	2/1	3	ISHIZUKA S. INABA			YAZAKI CORPORATION		
B ±0.2	±0.3	±0.55	±0.95	±1.4	±30°	0.1	APPROVED	CHECKED	CHECKED	DESIGN	DRAWN	83.08.09 90.02.09						
○ ±0.3	±0.5	±0.8	±1.4	±2	±30°	0.15	重信 八木 利牛		83.08.09		90.02.09							
SPECIFIED						WEIGHT												