

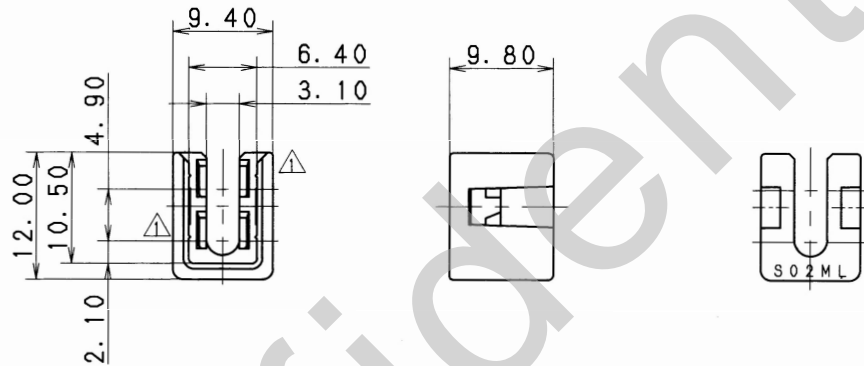
NO.	YAZAKI PART NO.	COLOR
1	7157-6022-90	LIGHT BLUE
2	7157-6022-30	BLACK

注記

1. 適用ハウジング品番: 7122-1629-90 ETC.

NOTE

1. APPLICABLE HOUSING NO. : 7122-1629-90 ETC.



ISSUE MARK

										CUSTOMER				MATL. SPEC. NYLON 6		TREAT. & FIN.	
										CUSTOMER PART NO.				CUSTOMER DWG NO.			
△	96.09.30	ADDED PART NO. C96-M821			H. K												
△	90.02.09	RENEW AND CHANGED FORM C89-M249			H. Y		OFFICE				TRIAL PART NO.						
LET	DATE	REVISION RECORD NO.			CHKD		VENDOR				VENDOR NO.						
GENERAL TOLERANCE																	
	10MAX	50MAX	100MAX	250MAX	250OVR	ANGLE	ECCENT	DWG TYPE	DWG SOURCE	DWG DATE	UNIT	SCL	ANGLE	PART NO. △7157-6022-90 ETC.			
A	±0.15	±0.2	±0.3	±0.5	±0.75	±30'	0.1	R	RENEW	83.03.04	mm	2/1	3	CH. CODE			
B	±0.2	±0.3	±0.55	±0.95	±1.4	±30'	0.1	APPROVED	CHECKED	CHECKED	DESIGN	DRAWN		DWG NO. △7157-6022-90 : R			
◎	±0.3	±0.5	±0.8	±1.4	±2	±30'	0.15	神田		渡辺		INABA	MOTOHASHI		YAZAKI CORPORATION		
SPECIFIED					MASS		g		96.10.4		96.10.3		83.03.03		96.09.30		