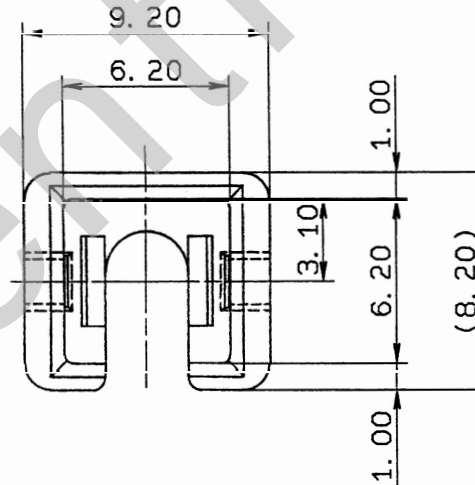
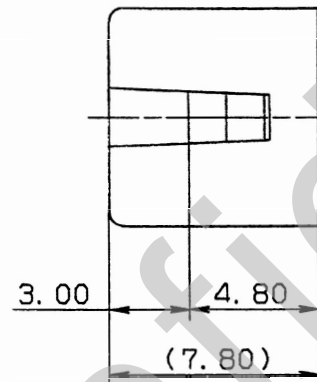
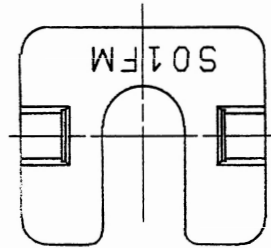


1

2

3

PART NO.	COLOR	APPLICABLE HOUSING NO.	
		MALE	FEMALE
7157-6010-90	LIGHT BLUE	7122-1619-90	7123-1619-90
7157-6010-70	YELLOW	7122-1610	7123-1610



ISSUE MARK

CUSTOMER										MATL. NYLON			TREAT. & FIN.				
CUSTOMER PART NO.					CUSTOMER DWG NO.					SPEC.							
OFFICE										NAME REAR HOLDER FOR S01F.							
VENDOR										STD LIB NO.							
VENDOR NO.										M(W), S01F.M(L)							
GENERAL TOLERANCE										PART NO. 7157-6010-70 ETC.							
	10MAX	50MAX	100MAX	250MAX	250OVR	ANGLE	ECCENT	DWG TYPE	DWG SOURCE	DWG DATE	UNIT	SCL	ANGLE	DWG NO. 7157-6010-70.R			
A	±0.15	±0.2	±0.3	±0.5	±0.75	±30'	0.1	R	NEW	88.11.19	mm	5/1	3	TRIAL PART NO.			
B	±0.2	±0.3	±0.55	±0.95	±1.4	±30'	0.1	APPROVED	CHECKED	CHECKED	DESIGN	DRAWN	TAKAHASHI S. YAGI				
©	±0.3	±0.5	±0.8	±1.4	±2	±30'	0.15	WEIGHT		DESIGN		DRAWN		YAZAKI CORPORATION			
SPECIFIED										K. Sato		T. Maxima		88.12.13		82.09.14 88.11.19	
										88.12.14		88.12.13		82.09.14 88.11.19			

1

2

3