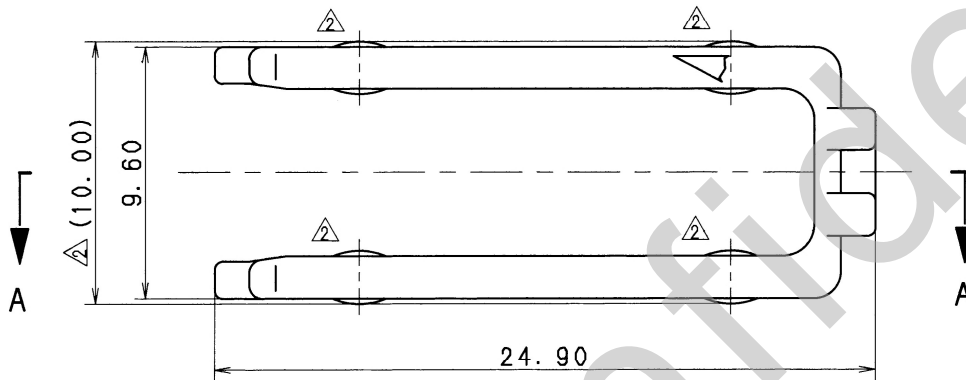


SEC. A-A



注記

1. 適用ハウジング品番: 7183-4000 ETC.

NOTE

1. APPLICABLE HOUSING NO. : 7183-4000 ETC.

ISSUE MARK

95.10.11 CHANGED FORM, <input type="checkbox"/> C95-M560 T.O 93.11.17 CHANGED COLOR C93-M160 M.S 92.02.10 NEW C92-6189 C.M		CUSTOMER CUSTOMER PART NO. _____ CUSTOMER DWG NO. _____		MATL. P. P. SPEC. <input type="checkbox"/> (DARK GRAY)		TREAT. & FIN. _____								
LET DATE REVISION RECORD NO. CHKD		OFFICE _____ VENDOR _____		NAME <b>SDL II CONNECTOR REAR HOLDER</b>		TRIAL PART NO. _____								
GENERAL TOLERANCE		VENDOR NO. _____		<b>10P FEMALE</b>		PART NO. <input type="checkbox"/> <b>7157-4588-10, <input type="checkbox"/></b>								
	10MAX	50MAX	100MAX	250MAX	2500VR	ANGLE	ECCENT	DWG TYPE	DWG SOURCE	DWG DATE	UNIT	SCL	ANGLE	CH. CODE
A	±0.15	±0.2	±0.3	±0.5	±0.75	±30'	0.1	R	NEW	92.02.10	mm	5/1	3	<input type="checkbox"/> <b>7157-4588-10 :R</b>
B	±0.2	±0.3	±0.55	±0.95	±1.4	±30'	0.1	APPROVED	CHECKED	CHECKED	DESIGN	DRAWN		DWG NO. <input type="checkbox"/> <b>7157-4588-10 :R</b> <b>YAZAKI CORPORATION</b>
©	±0.3	±0.5	±0.8	±1.4	±2	±30'	0.15	手帳 久村 飯島 95.10.17 95.10.13 95.10.12		M. ABE	KAMIYAMA 川澤			
SPECIFIED		MASS		9		95.10.11		91.06.20		95.10.11		95.10.11		