

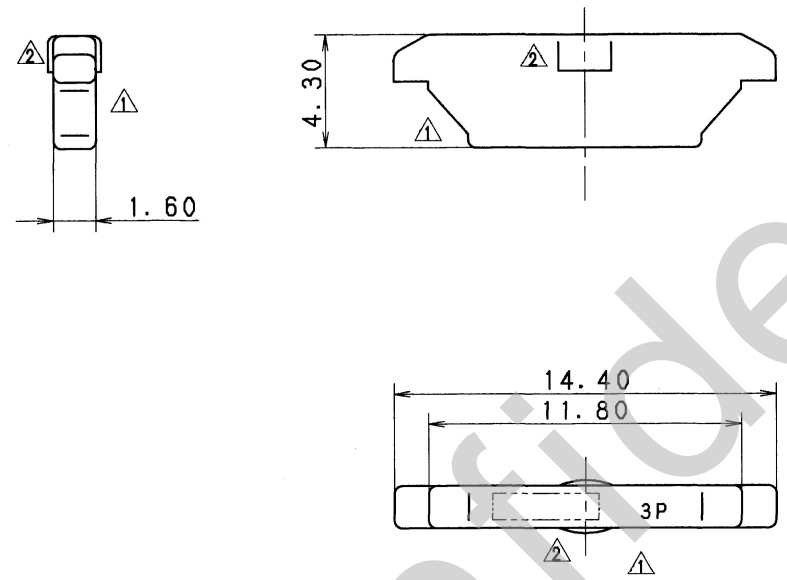
注 記

1. 適用ハウジング品番 : 7182-4030 ETC., 7183-4030 ETC.

NOTE

1. APPLICABLE HOUSING NO. : 7182-4030 ETC.

7183-4030 ETC.



ISSUE MARK

95.02.24		CHANGED FORM. A	C95-6115	A. H	CUSTOMER		MATL. SPEC. P. P (BLUE) A		TREAT. & FIN.						
93.03.31		CHANGED FORM ETC.	C93-6435	T. M	CUSTOMER PART NO.		CUSTOMER DWG NO.								
92.04.28		NEW	C92-L207	S. I	OFFICE		TRIAL PART NO.		NAME SDL II CONNECTOR						
LET	DATE	REVISION RECORD	NO.	CHKD	VENDOR				REAR HOLDER 3P						
GENERAL TOLERANCE				VENDOR NO.						PART NO. 7157-4581-90 A					
	10MAX	50MAX	100MAX	250MAX	2500VR	ANGLE	ECCENT	DWG TYPE	DWG SOURCE	DWG DATE	UNIT	SCL	ANGLE	DWG NO. 7157-4581-90:R	
A	±0.15	±0.2	±0.3	±0.5	±0.75	±30'	0.1	R	NEW	92.04.28	mm	5/1	3	DESIGN M. ABE	
B	±0.2	±0.3	±0.55	±0.95	±1.4	±30'	0.1	APPROVED	CHECKED	CHECKED	DESIGN	DRAWN		DRAWN 半田	
C	±0.3	±0.5	±0.8	±1.4	±2	±30'	0.15	SPECIFIED		MASS			YAZAKI CORPORATION		
								95.02.02		95.02.27		91.09.26		95.02.24	