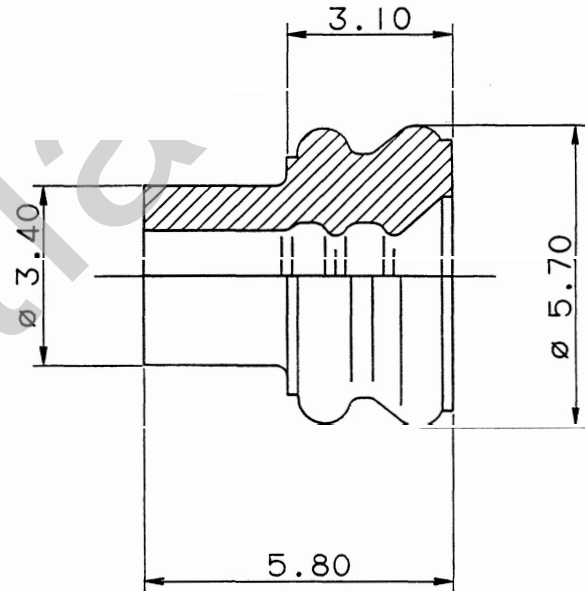
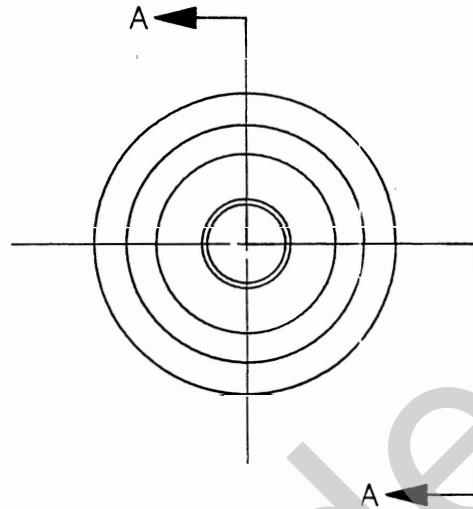


RUBBER PART GENERAL TOLERANCE				
PART DIM.	1	(2)	3	
0 TO 3	± 0.2	± 0.3	± 0.4	
3 TO 6	± 0.2	± 0.4	± 0.5	
6 TO 10	± 0.3	± 0.5	± 0.6	
10 TO 18	± 0.3	± 0.6	± 0.8	
18 TO 30	± 0.4	± 0.8	± 1.0	
30 TO 50	± 0.5	± 1.0	± 1.5	
50 TO 80	± 0.6	± 1.2	± 2.0	
80 TO 120	± 0.7	± 1.4	± 2.5	
120 TO 180	± 0.8	± 1.6	± 3.0	
180 TO 250	± 1.0	± 2.0	± 4.0	
250 TO 315	± 1.2	± 2.5	± 5.0	
315 TO 400	± 1.5	± 3.0	± 6.0	
400 TO 500	± 1.8	± 3.5	± 7.0	
500 OVER	± 0.4 %	± 0.8 %	± 1.5 %	



NOTES

- 1) COLOR; RED-IRON.
- 2) MATL&SPEC; SELF-LUBRICATING,SILICON RUBBER.
- 3) APPLICABLE WIRE SIZE EQUIVALENT TO AVS 0.5~AEX 1.25.

注記

- 1) 色; ヘンガラ.
- 2) 材料; 含油シリコンゴム.
- 3) 適応電線サイズ AVS 0.5 ~ AEX1.25 相当トスル.

SEC. A-A

ISSUE MARK

				CUSTOMER				MATL. SPEC.				SEE NOTES		TREAT. & FIN.	
				CUSTOMER PART NO.				CUSTOMER DWG NO.				NAME			
85.04.15				NEW				C85-5364				M.T			
LET				DATE				REVISION RECORD				NO.			
												OFFICE NAGOYA			
												STDLIB NO.			
												VENDOR			
												VENDOR NO.			
GENERAL TOLERANCE								PART NO.							
								7157-3646							
10MAX								DWG TYPE							
A ±0.15								R							
50MAX ±0.2								DWG SOURCE							
100MAX ±0.3								NEW							
250MAX ±0.5								DWG DATE							
2500VR ±0.75								85.04.15							
ANGLE ±30'								UNIT							
ECCENT 0.1								mm							
								SCL							
								10/1							
								ANGLE							
								3							
B ±0.2								APPROVED							
±0.3								CHECKED							
±0.5								CHECKED							
±0.8								DESIGN							
±1.4								DRAWN							
±2															
±30'								DWG NO.							
0.15								7157-3646-R							
SPECIFIED								TRIAL PART NO.							
RUBBER PART GENERAL TOLERANCE 2								084157-5596							
WEIGHT								YAZAKI CORPORATION							
0.1g															
85.04.23								85.04.22							
85.04.18								84.06.14							
85.09.16															